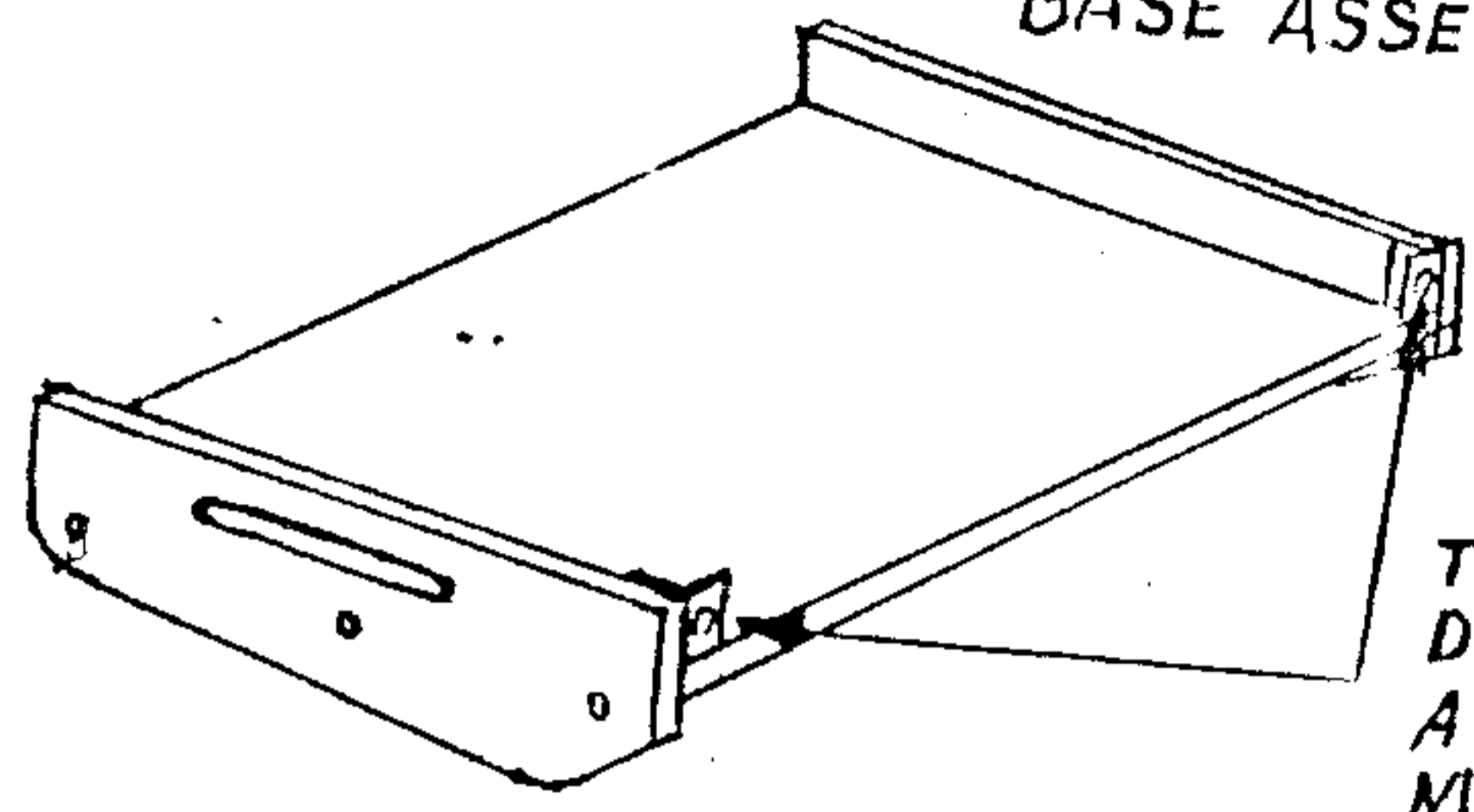
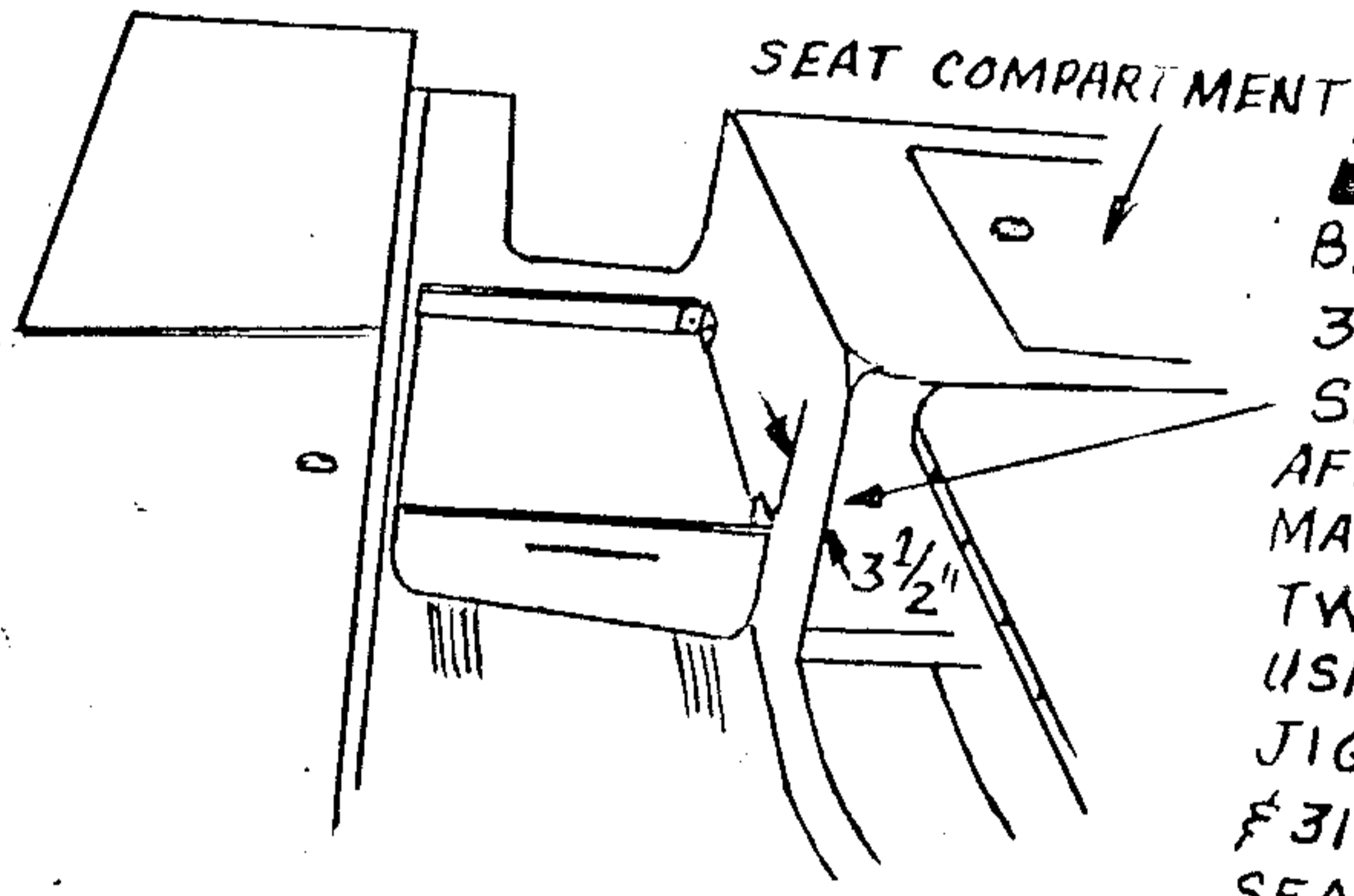


2  
 BASE ASSEMBLY  
 INSTRUCTION  
 553 - 939

BASE ASSEMBLY FOR COOLER

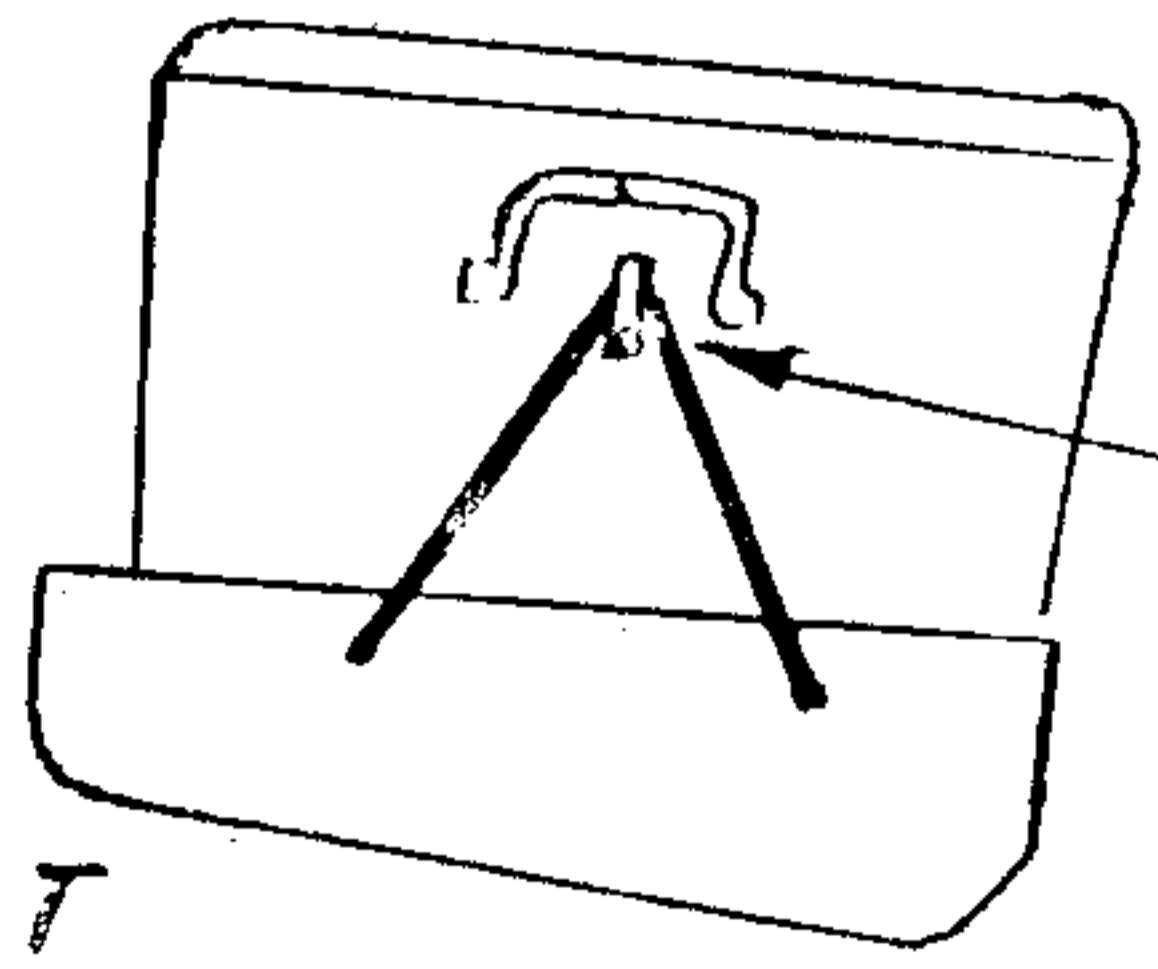


THESE TWO BRACKETS & DRILLED HOLES WILL BE USED AS DRILLING JIG TO LOCATE MOUNTING HOLES.



SEAT COMPARTMENT

LOCATION FOR COOLER BASE ASSEMBLY IS 3 1/2 INCHES FROM SEAT EDGE AS SHOWN. AFTER LOCATION IS MADE ON BASE, DRILL TWO HOLES #10 USING BRACKETS AS JIG. USE 31784 WASHER & 31525 LOCK NUT INSIDE SEAT COMPARTMENT



SNAP SHACKLE IS USED TO SECURE ELASTIC CORD TO COOLER BRACKET.

PARTS LIST

615792	BASE ASSEMBLY ICE BOX	1
31784	WASHER #10 I.D. X 9/16 X .062	2
31525	NUT LOCK 10-24 SS	2
31331	SCREWS MACH 10-24 X 3/4"	2
25383	CHEST ICE	