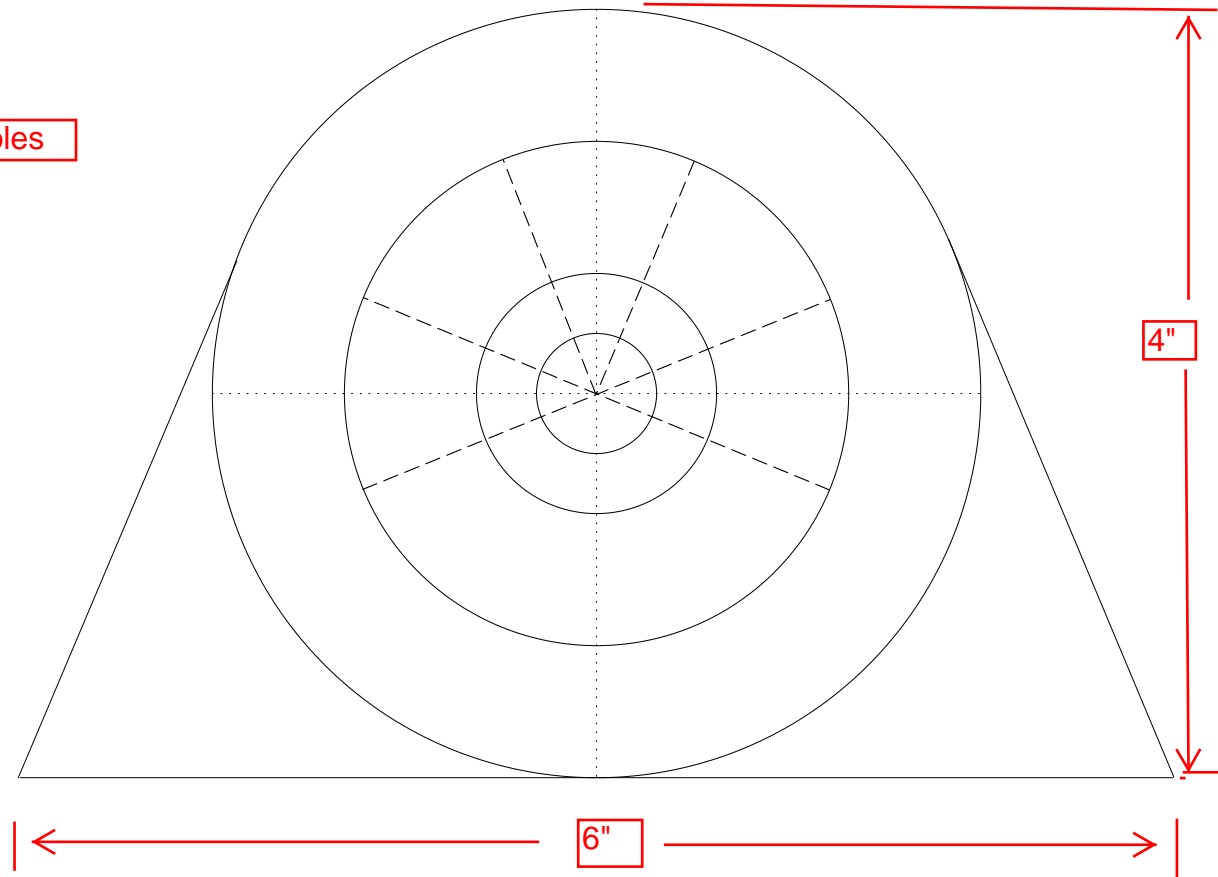
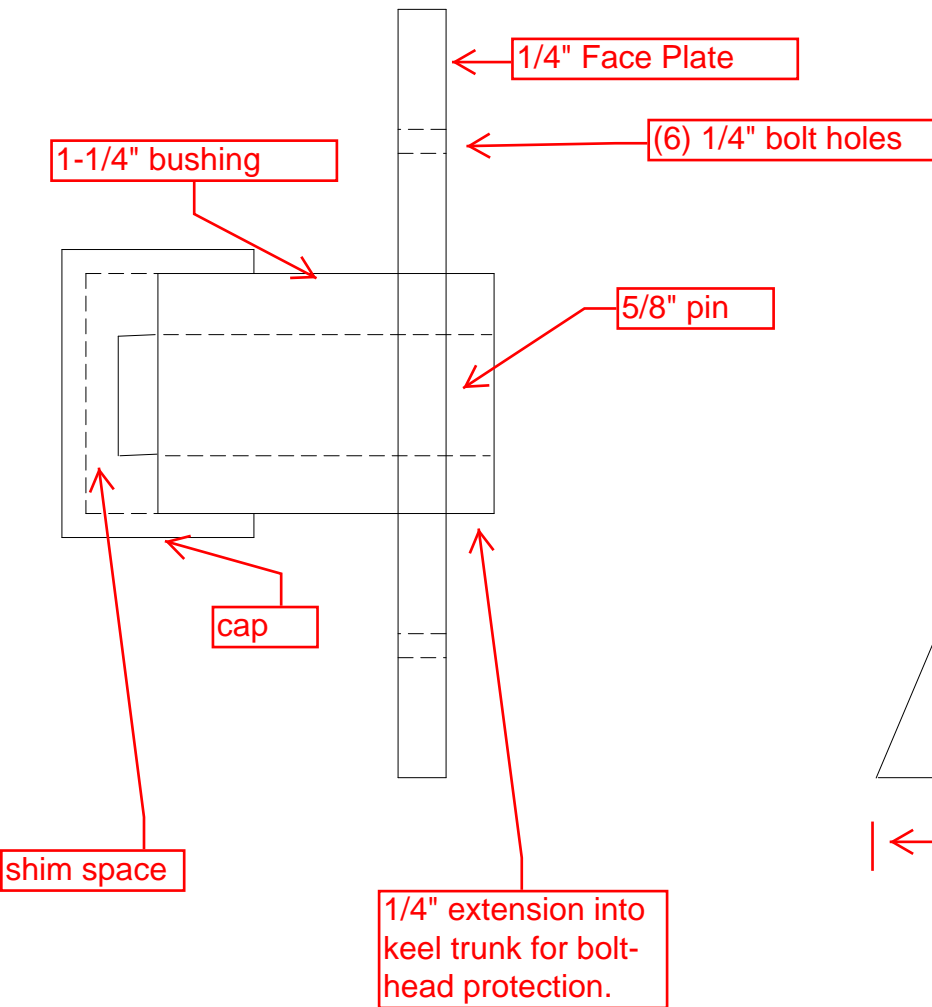


**FOR BRACKET LAYOUT:**

1. DRAW 6" BASE LINE. LOCATE CENTER OF BASELINE AND DRAW PERPENDICULAR CENTERLINE RISING 4".
2. ON VERTICAL CENTERLINE, MEASURE 2" ABOVE BASE LINE AND DRAW INTERSECTING HORIZONTAL LINE. (CENTERLINE)
3. FROM INTERSECTING POINT, DRAW 3 CIRCLES: 1-1/4" (BUSHING HOLE): 2-5/8" (1/4" BOLT CENTERS): 4" (BRACKET TOP RADIUS).
4. TO LAYOUT 1/4" BOLT HOLES: DRAW 3 HORIZONTAL LINES INTERSECTING 2-5/8" CIRCLE. DRAW LINE 1, 1-1/2" ABOVE BASELINE; DRAW LINE 2, 2-1/2" ABOVE BASELINE; DRAW LINE 3, 3-7/32" ABOVE BASELINE. WHERE EACH LINE INTERSECTS THAT CIRCLE, BOTH LEFT AND RIGHT BOLT CENTERS ARE LOCATED.
5. TO COMPLETE BRACKET LAYOUT: WITH A STRAIGHT EDGE ON ONE END OF THE BASELINE, FIND THE CORRECT ANGLE THAT MAKES A LINE TANGENT TO THE 4" CIRCLE. DRAW LINE AND REPEAT SAME FOR OTHER SIDE.



**SCALE: FULL SIZE**