

C-22 SAILBOAT

ANTI-POLLUTION SYSTEM  
333-948

(Installation Instructions)

- 1) Install bracket to foot then install chute to bottom of head as shown on installation instruction sheet furnished with head.
- 2) Position head inside bow area approximately as shown on installation instruction sheet #13696. Mark holes on floor after positioning brackets as shown on figure (2). Drill four 5/16" DIA. holes. Then install four inserts as shown in instruction sheet figure (19).
- 3) Drill holes in liner as shown in figure (3) on instruction sheet #13696.
- 4) Drill two holes on deck according to figure (1). Drill the 2 3/8" DIA. hole thru deck and liner and the 5/8" DIA. hole thru deck only. Then on the shelf drill a 3" DIA. hole fwd of the bulkhead.
- 5) Fasten hoses #838601 and 828600 to head with (1) 23153 clamp hose 06 and (2) 23504 clamps (2 1/2" ideal), then run hoses thru predrilled holes.
- 6) Install 24864 (dockside discharge kit) and 23489 vent thru hull as shown in figure (1). Be sure to use presstite tape for all outside connections.
- 7) Fasten hoses #838601 and 828600 to dockside kit and vent thru hull with (1) 23163 clamp and (2) 23504 clamps (2 1/2" ideal).

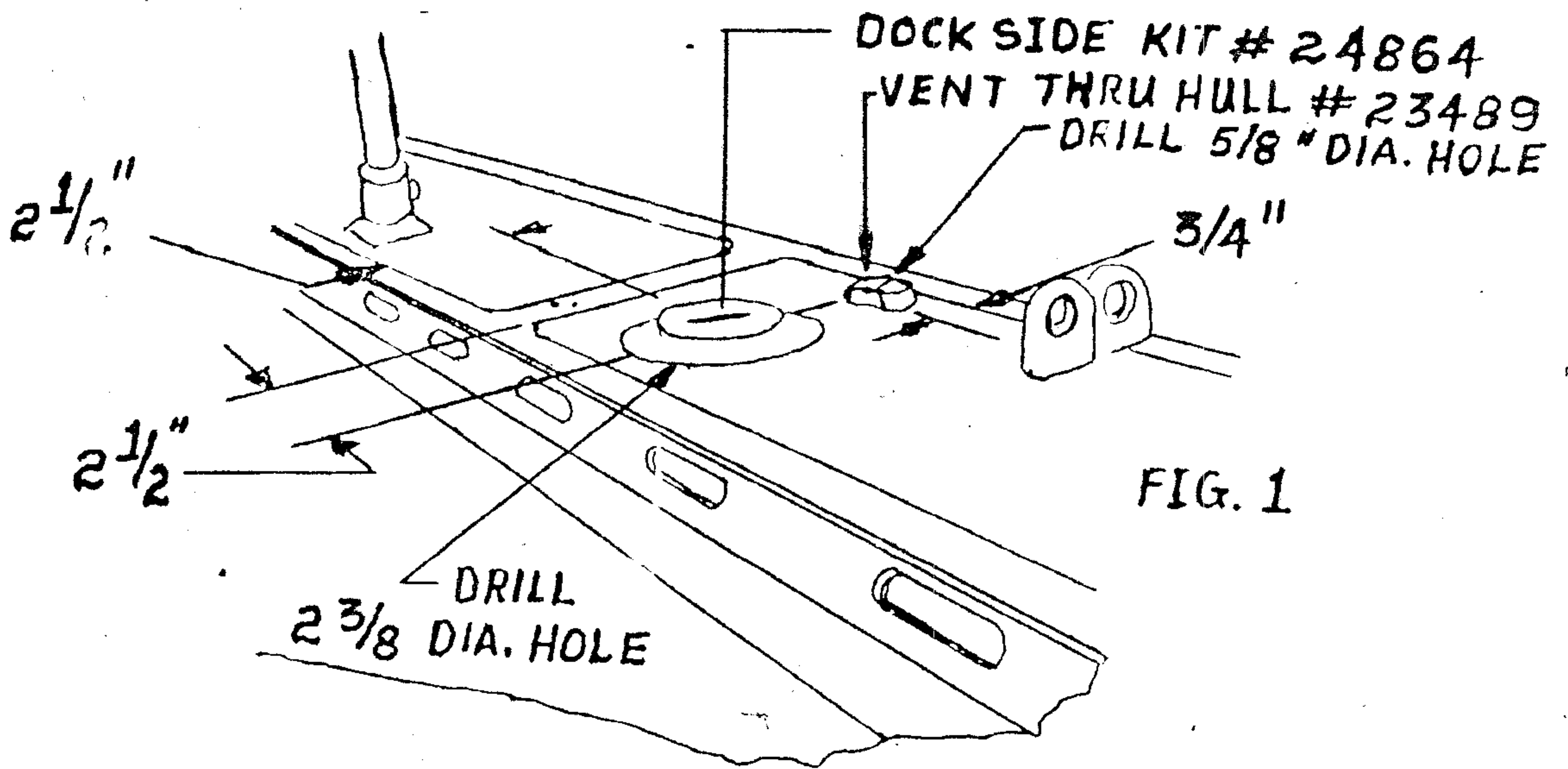


FIG. 1

THIS IS AN APPROXIMATE LOCATION OF HEAD

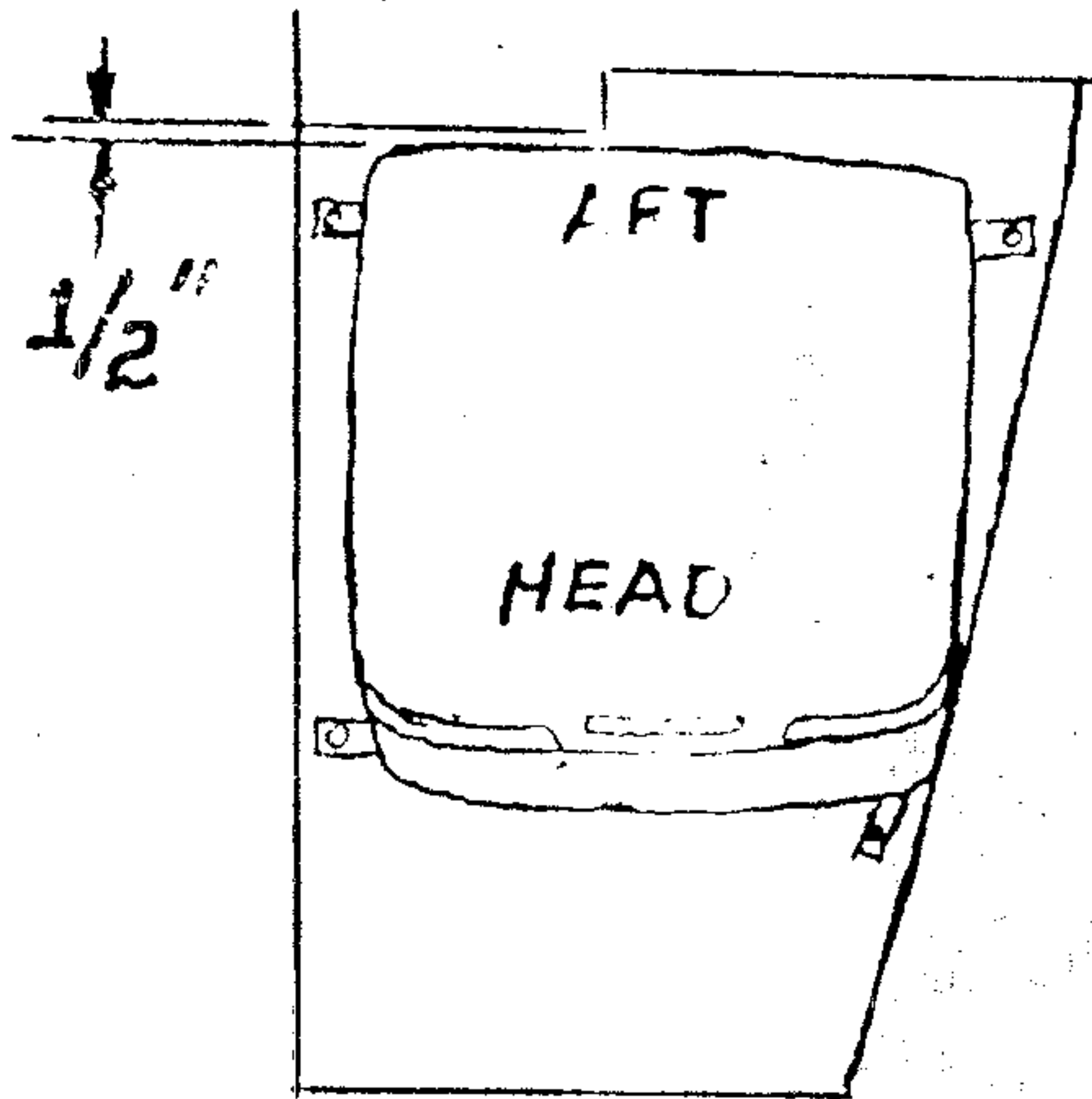


FIG. 2

NOTE: POSITION LEG BRACKETS AS SHOWN

METAL WELL-NUT FURNISHED WITH HEAD

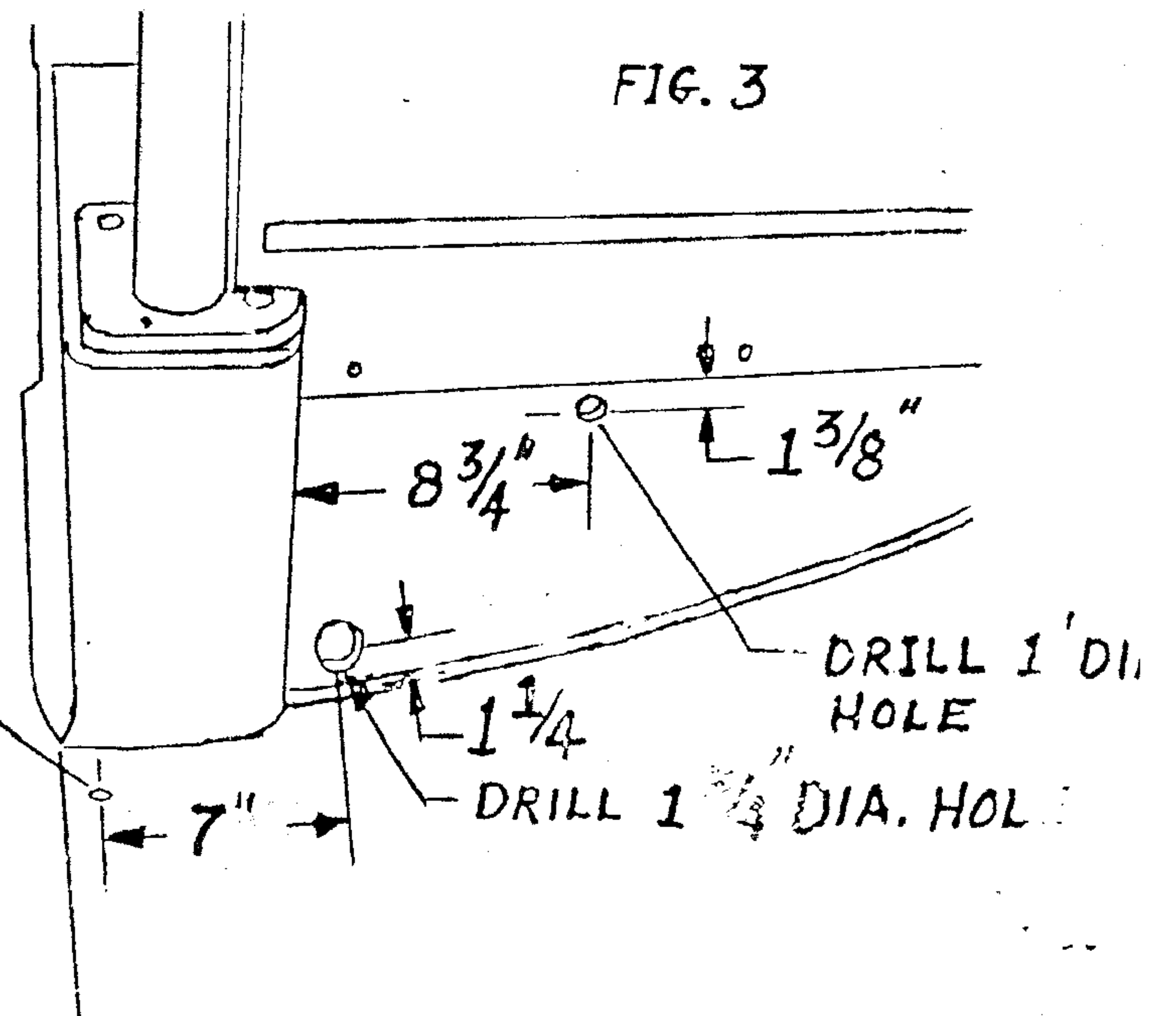


FIG. 3