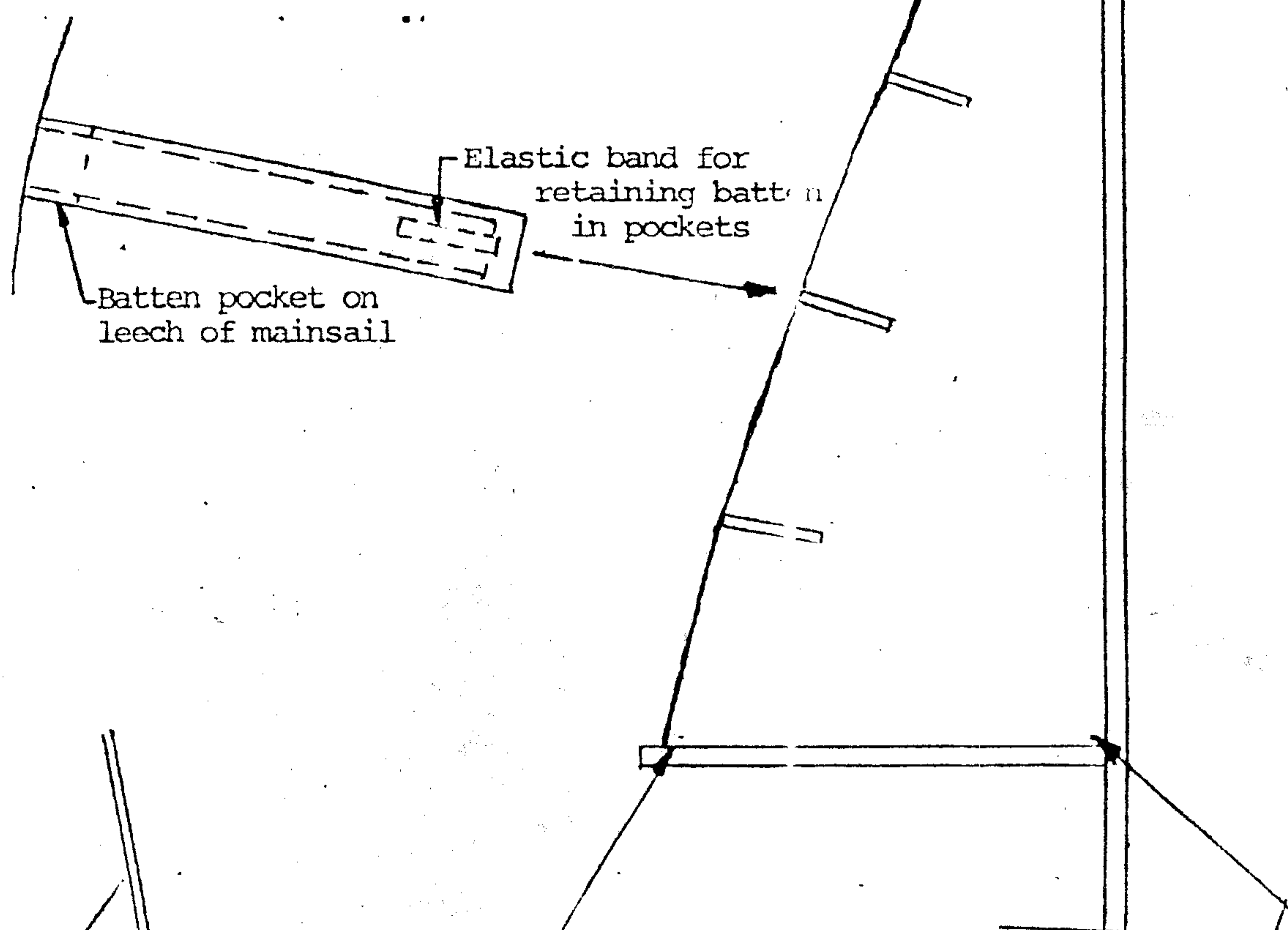


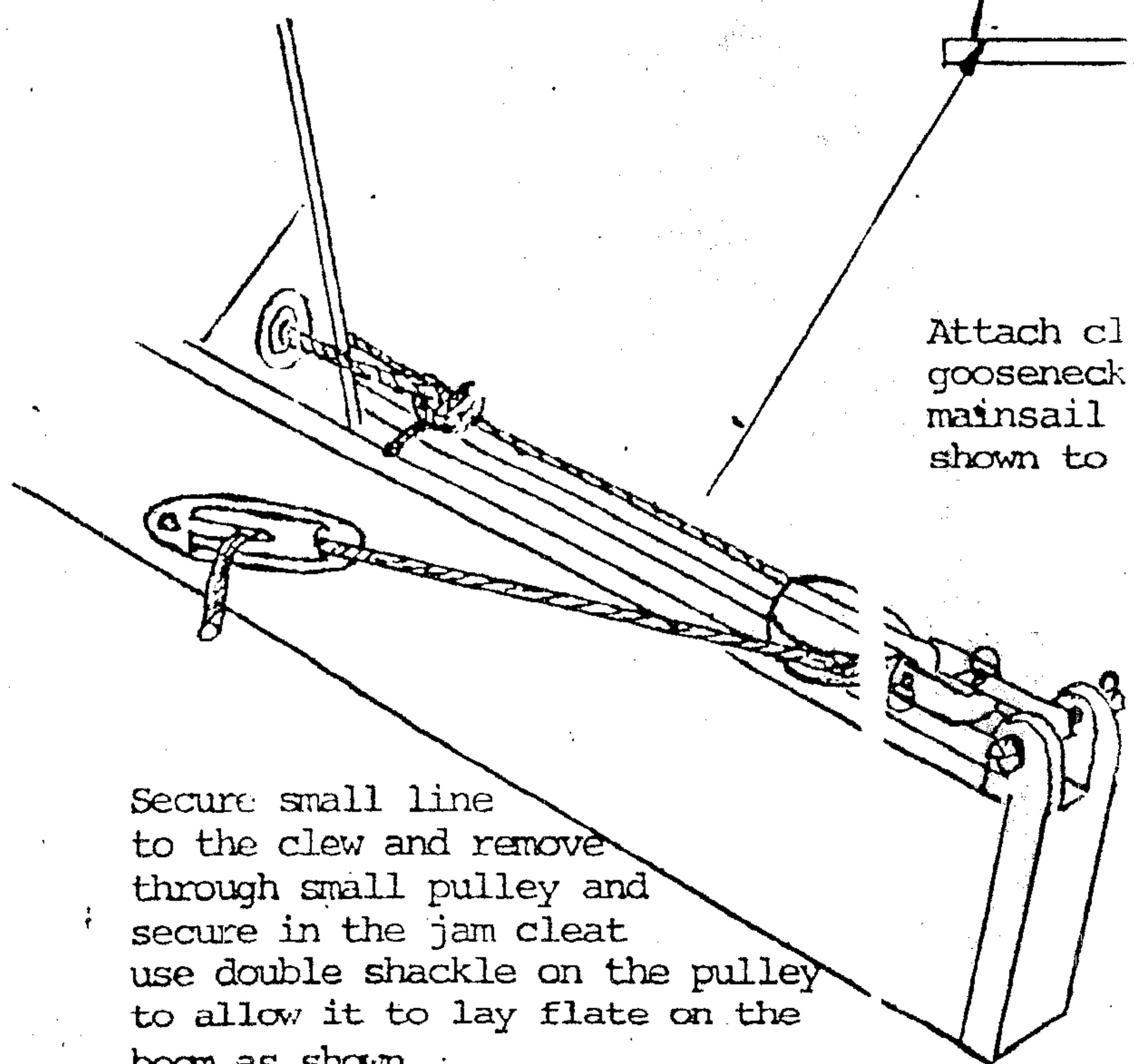
Main sheet Halyard shackle attachment



Batten pocket on leech of mainsail

Elastic band for retaining battens in pockets

Attach clevis pin through gooseneck fitting and mainsail clew. As shown to secure.



Secure small line to the clew and remove through small pulley and secure in the jam cleat use double shackle on the pulley to allow it to lay flat on the boom as shown.

