

PRIVACY CURTAINS PARTS LIST

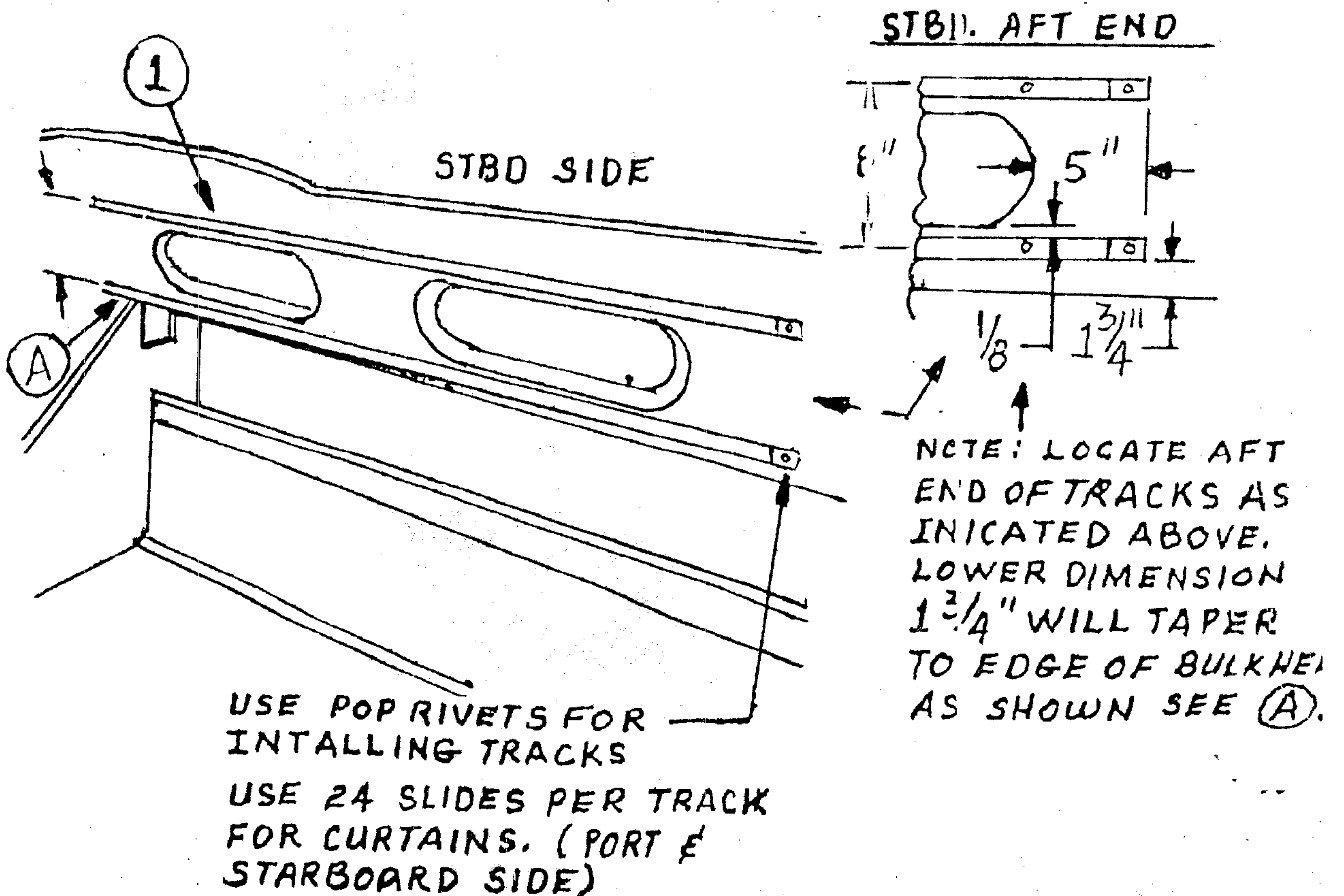
844389	Angle 1"x1"x1 1/4"	1
25365	Slides for curtains	112
25370	Curtain Window	6
25369	Curtain cabin port	1
25368	Curtain cabin starboard	1
844360	Angle 1/8"x1"x 7/8"	2
844359	Angle 1/8"x1"x7/8"	4
828626	Track forward curtain	2
828624	Track window curtains female	4
828623	Track window curtains	4
31723	Rivets Alum. Pop 1/8x4-6	44
31525	Nut lock 10-24 S S	2
31411.	Screws Mach. 10-24 x 3/4"	2
25364	Cap end slide curtain	8

PRIVACY CURTAINS ASSEMBLY
 Installation Instructions
 333-000

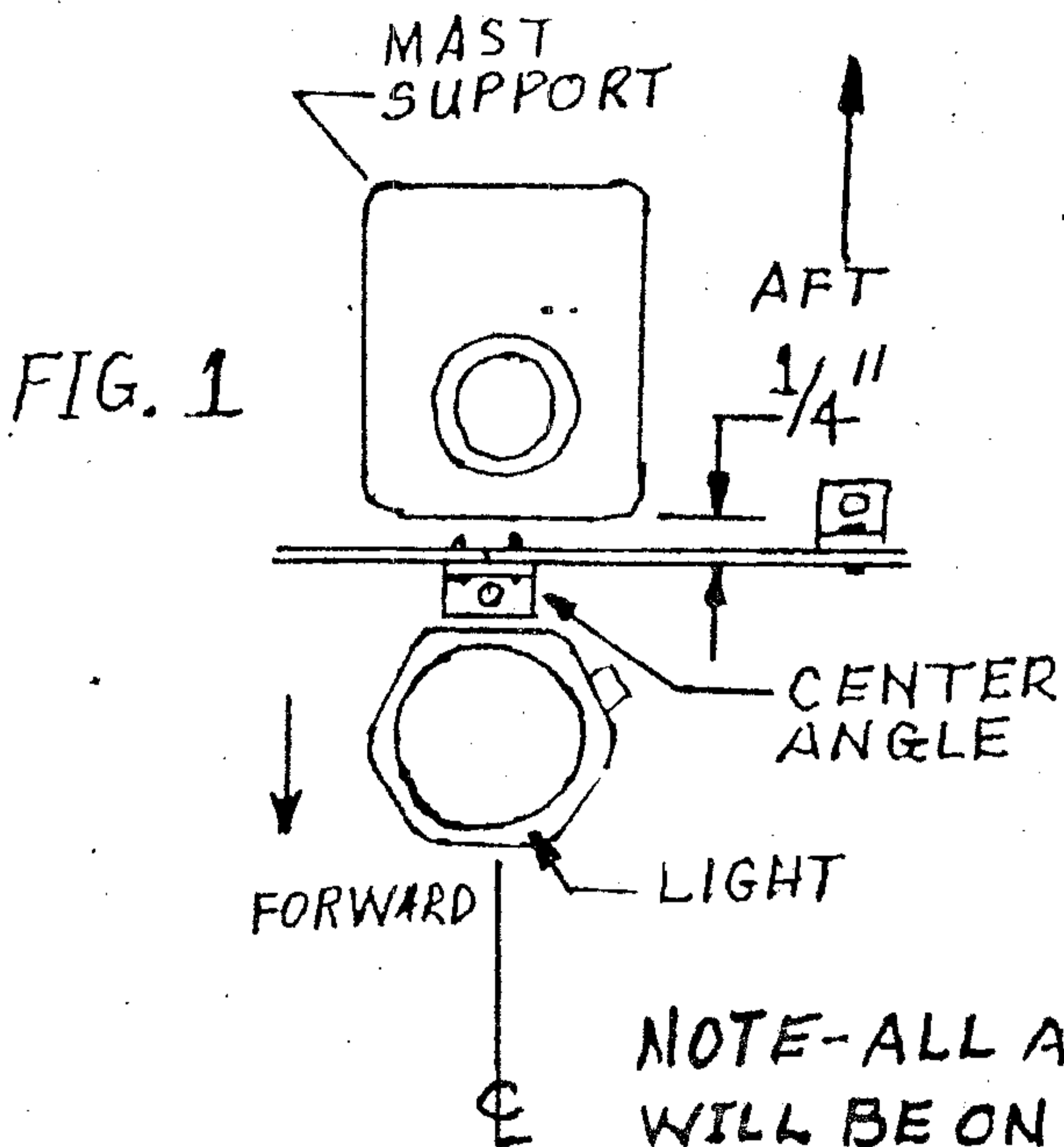
Fig.1 :Locate side curtain tracks as indicated with bottom track A tapering to edge of bulkhead at forward end of cabin. Using tracks as drilling jig, mark and drill 7#30 holes per track, (28 holes) and secure tracks to bulkhead with pop rivets. SEE NOTE (B)

Fig.2 :Locate center curtain track between mast support and courtesy light as shown.(Fig.1).Using angles , mark and drill 7 # 30 holes in cabin top. Secure angles to track and thanto the deck with pop rivets. (SEE NOTE B) Secure each end of track to angle with a mach. screw and lock nut.

Note (B) Prior to securing track end caps, add curtain slides to track.

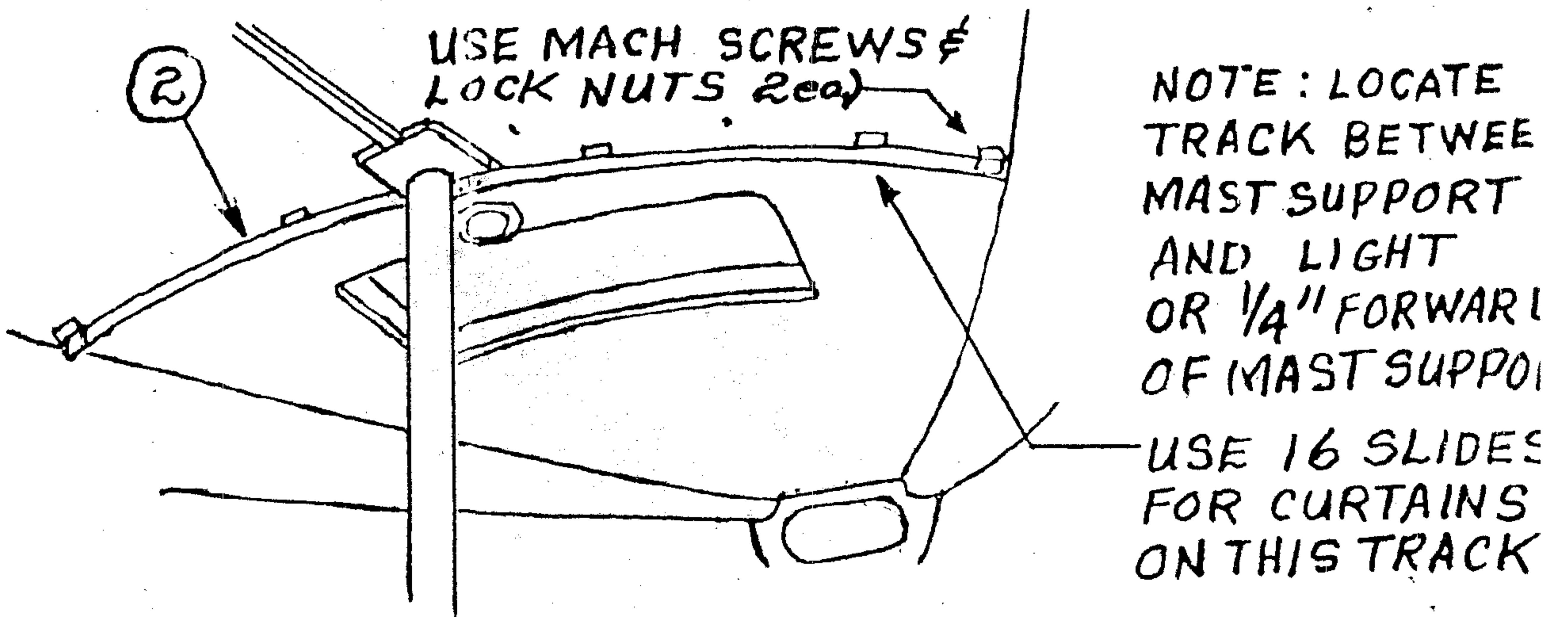


FRONT CURTAIN
ASSY

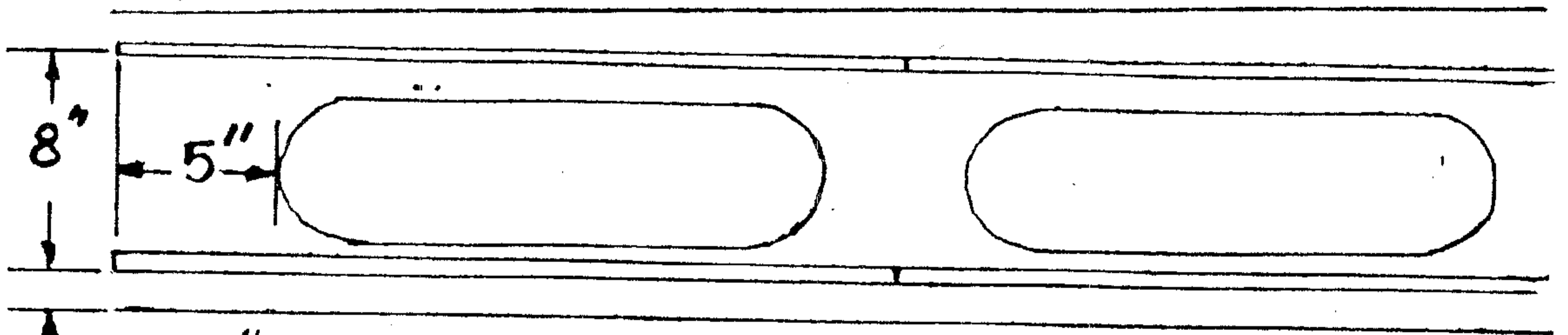


NOTE (B) PRIOR TO SECURING TRACK END CAPS, ADD CURTAIN SLIDES TO TRACK.

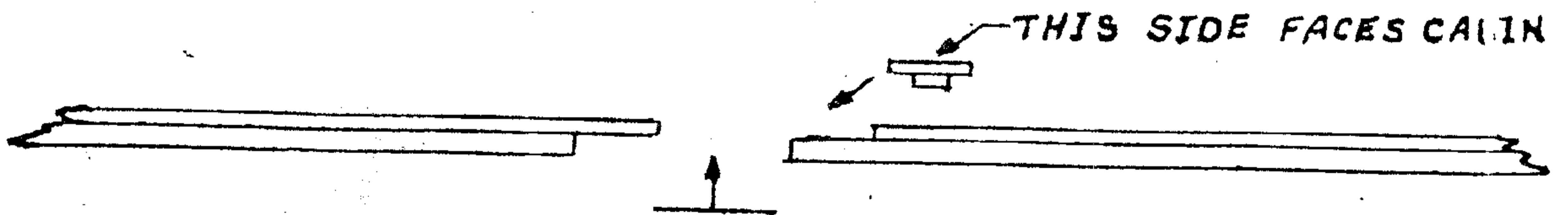
NOTE-ALL ANGLES WILL BE ON FORWARD SIDE OF TRACK EXCEPT CENTER ANGLE WHICH IS ON AFT SIDE



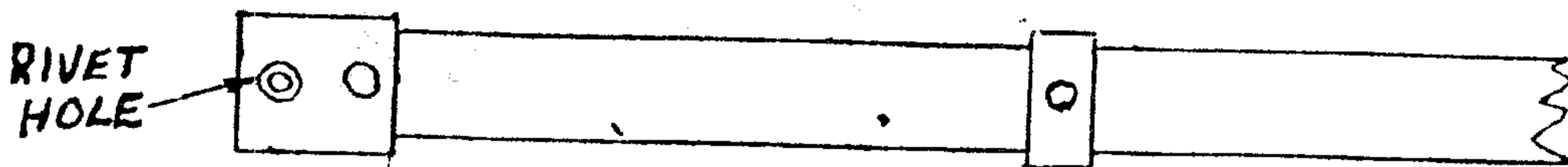
PORTSIDE



1 3/4" FROM EDGE OF CORNER TO LOWER EDGE OF TRACK. TRACK ABOVE CABIN WINDOW IS LOCATED 8" INCHES ABOVE LOWER TRACK. THE TRACK SHOULD EXTEND 5" BEYOND THE FORWARD END OF CABIN WINDOW.



THE TWO TRACK HALVES ARE CONNECT HERE AND RIVETED TOGETHER WHEN RIVETING TRACK TO BULKHEAD OF CABIN. THEN RIVET THE OTHER MOUNTING HOLES TO BULKHEAD



SLIDE TWENTYFOUR CURTAIN SNAPS ON EACH TRACK FOR THREE CURTAIN ON EACH SIDE OF THE CABIN

THE PLASTIC END TRIM ARE INSTALLED LAST. MOUNT ONE ON EACH END OF TRACK AND SECURE WITH A RIVET AT OUTER COUNTER SUNK HOLE.