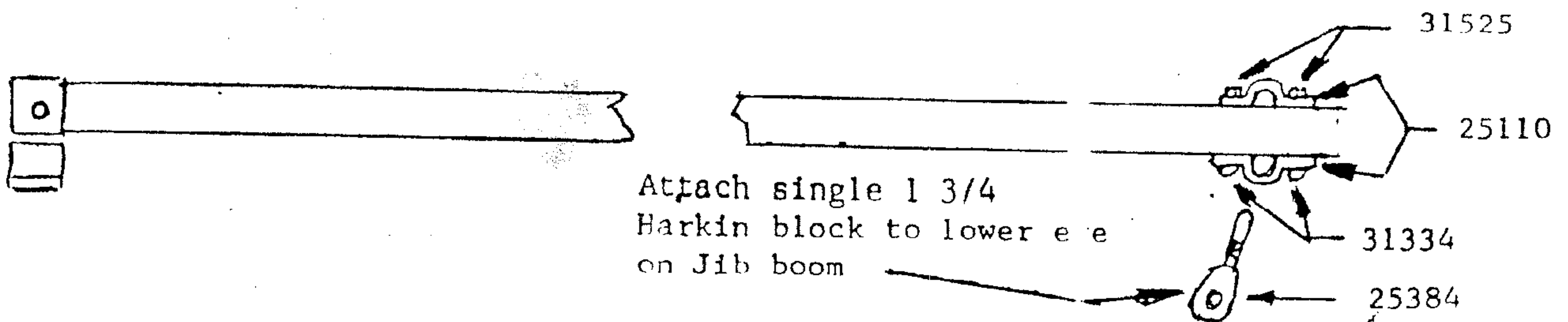
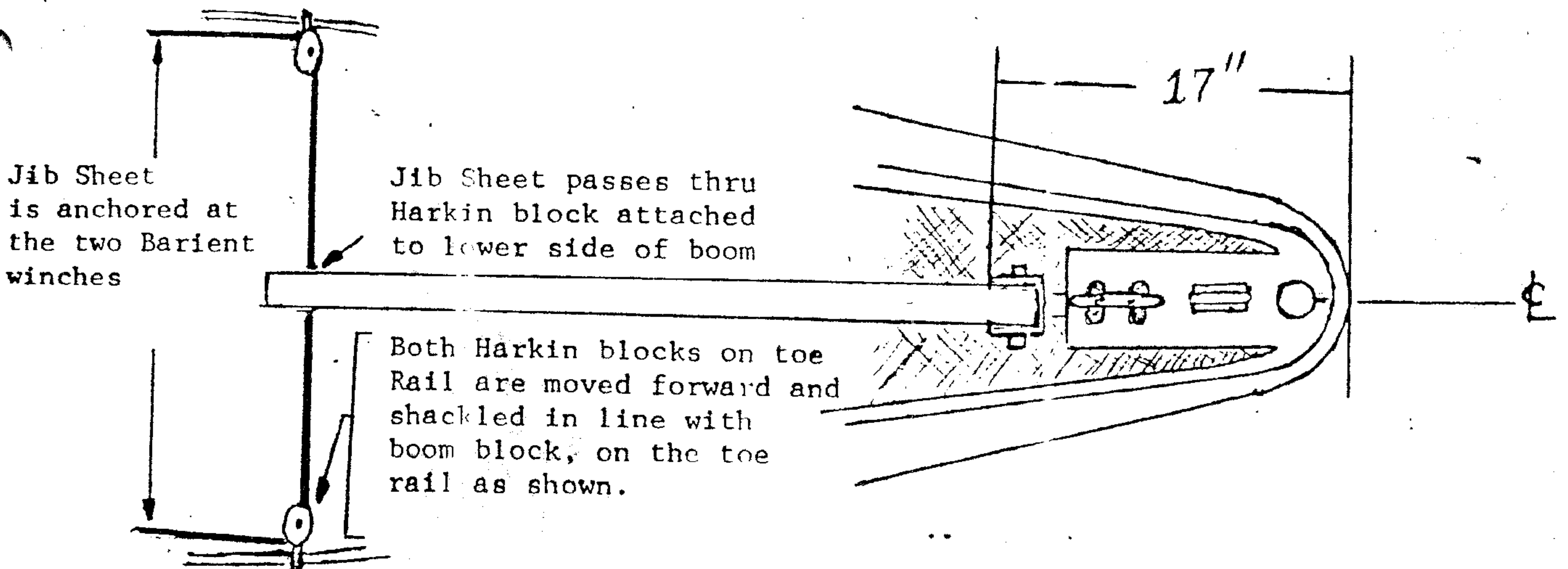
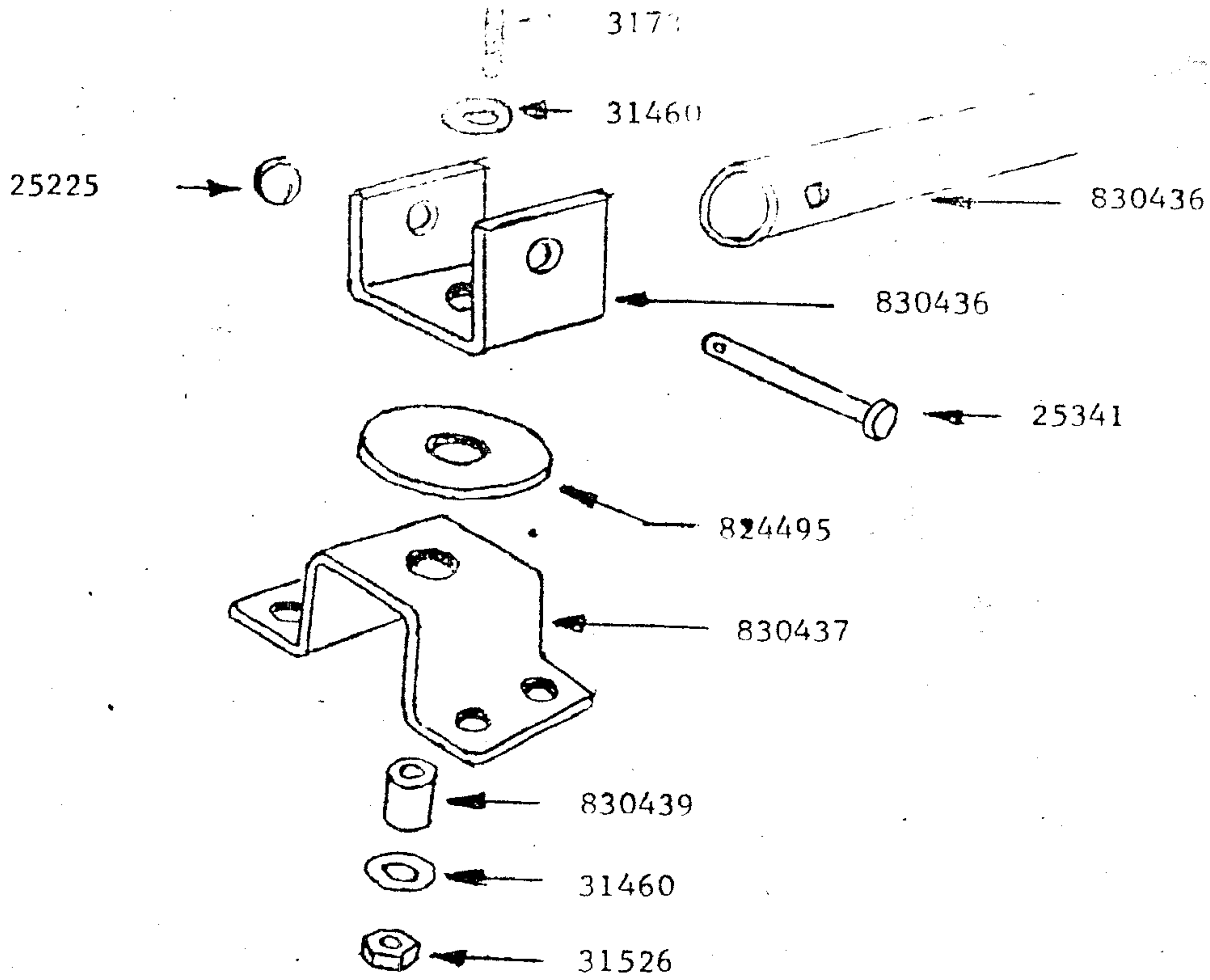


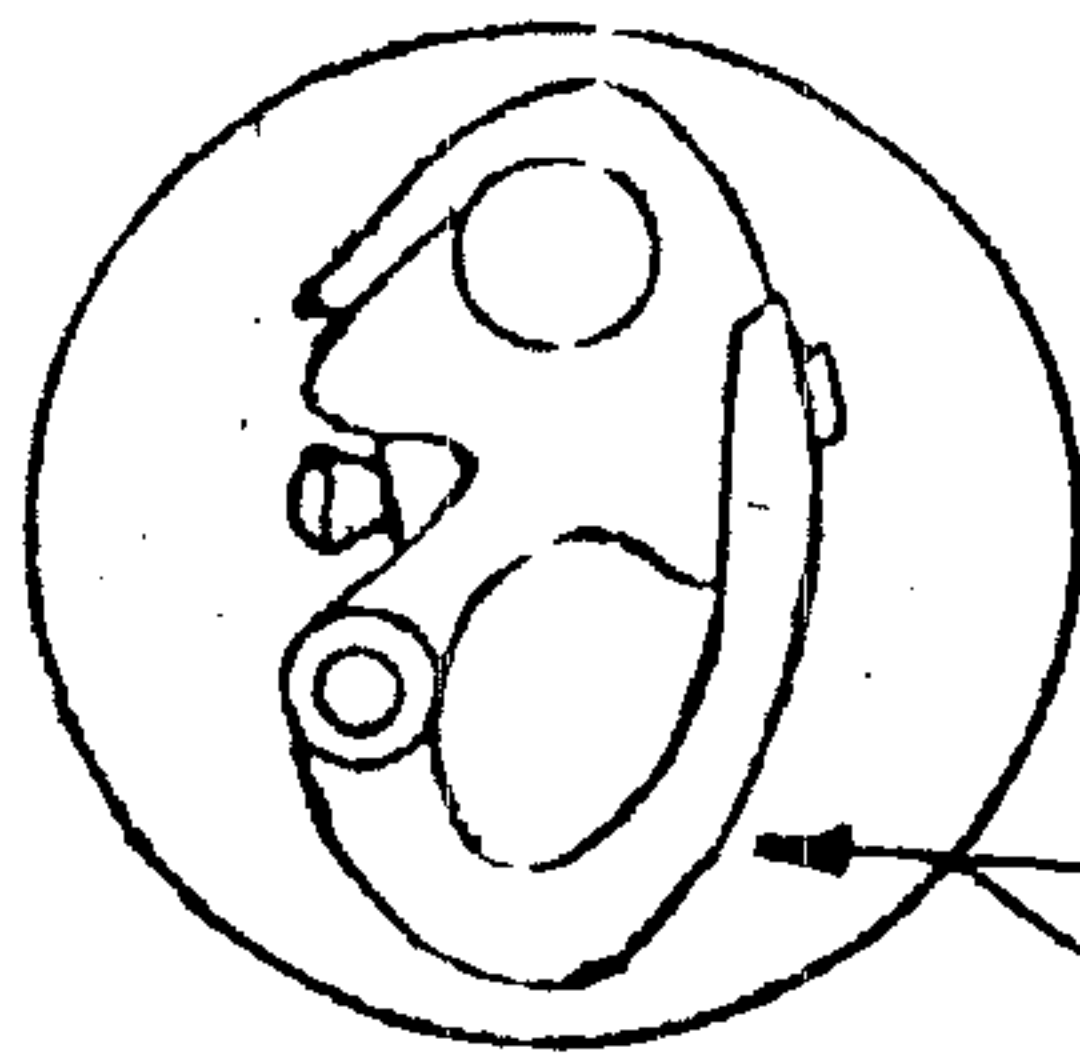
SEMBLY PARTS LIST

0 22

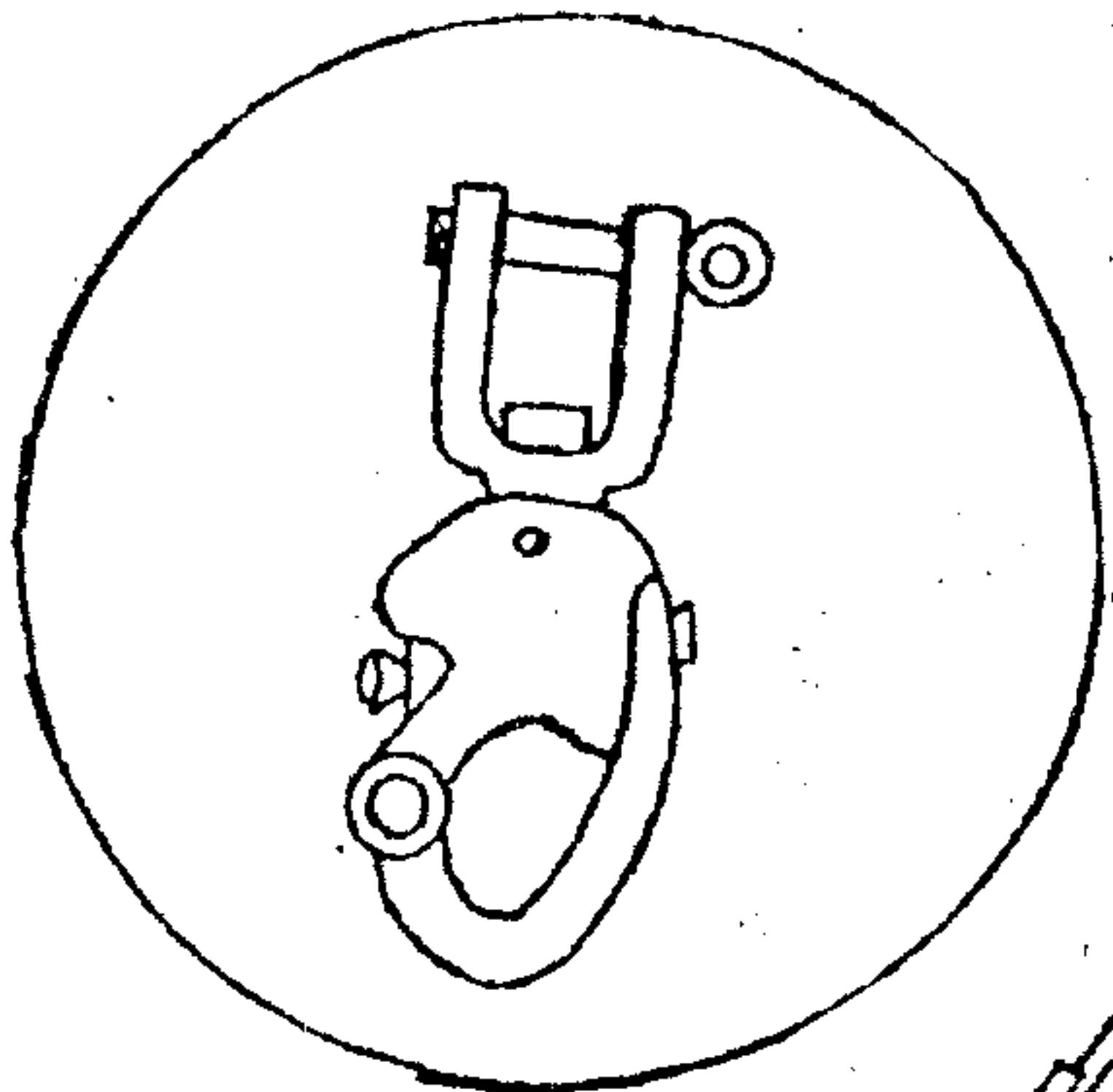
<u>Part No.</u>	<u>Nomenclature</u>	<u>Quantity</u>
815791	Tube Jib Boom Assy	1
828625	Jib Sheet - 40'	1
31784	Washer #10 I.D. x 9/16 O.D. x .062	4
31525	Nut Lock 10-24 - SS	4
31334	SCR Mach 10-24 x 1 1/2	4
25334	Block Dinghy 1 3/4" Harken	1
13705	Install Instr Jib Boom Accy 333-987	1



JIB BOOM ASSEMBLY

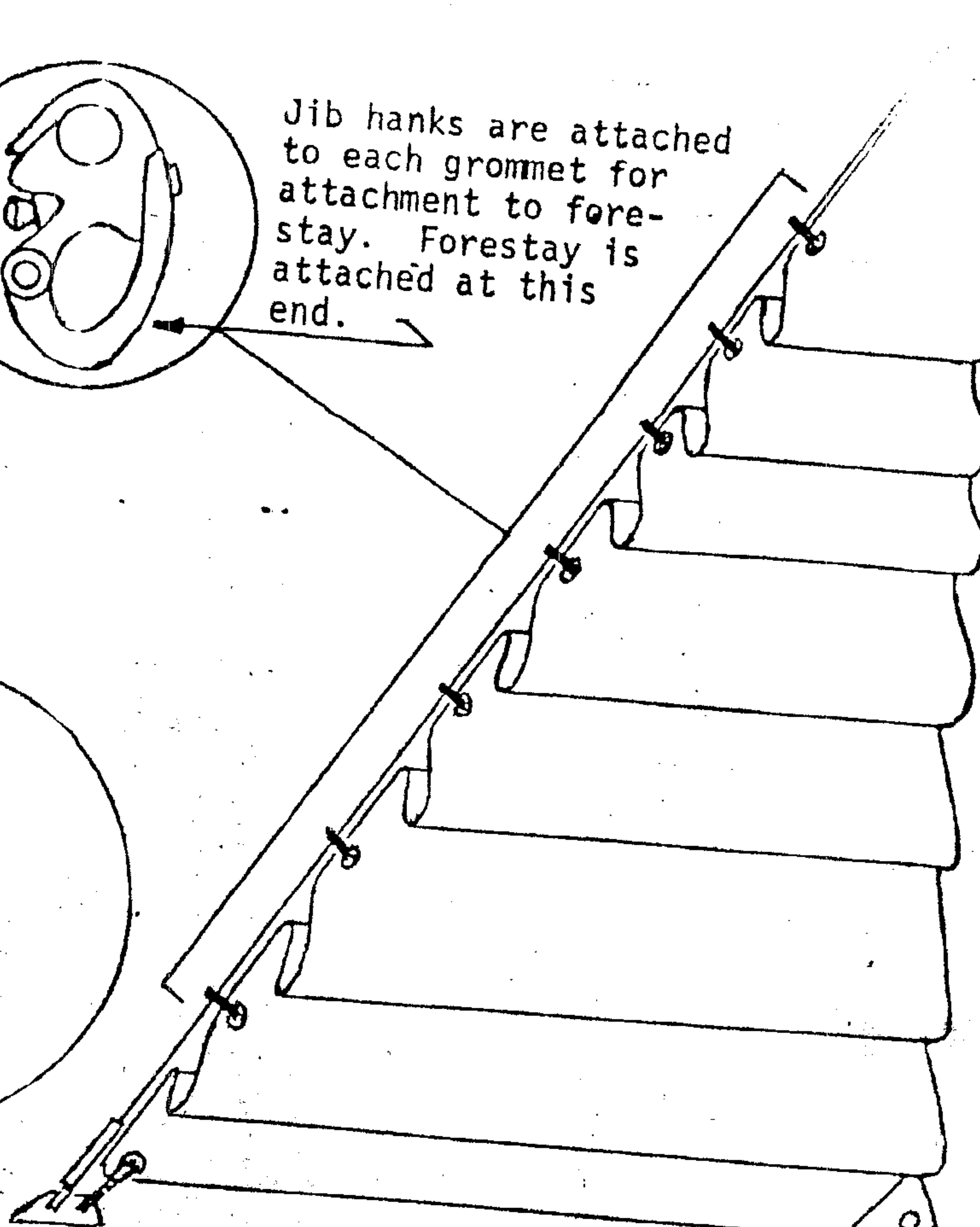


Jib hanks are attached to each grommet for attachment to forestay. Forestay is attached at this end.



Stem Plate

Above snap shackle is attached as shown in jib drawing. The snap section attaches to the lower forward grommet on the jib and the shackle attaches to the stem plate.



Shackle the halyard to the head grommet raising of t