

C-22 SAILBOAT

(LIGHT PACKAGE ACCESSORY)
INSTALLATION INSTRUCTIONS

1. Drill 1" hole, install stern light, connect to short black & white wires on aft end of harness.
2. Drill 3/8" hole for stern light SW. as shown, connect to 1 red & 2 white wires on harness.
3. Locate red & black wires with 3/8" ring terminals near battery location. (to be connected after installation is completed).
4. Drill 1/2" hole in hull liner aft of port blkhd pull wires thru hole and install wire grommet. (all wires except blk & white wires to bow light.) Run wires under angle on port blkhd using wire clips and existing s.m. scrs. in angle (see Fig. 2, Page 2)
5. Remove mast support tube & blocks (2). Blocks can remain on tube.
6. Run wire thru tube & blocks and reinstall. Note: wires must be in grooves in blocks before installing them. (see Figs. 1 & 2) Connect wires to both courtesy lights and install lights with S.M. screws. (see Fig. 1 Page 2)
7. Run wires into fwd blkhd. Drill 1" hole for bow light and 1/2" hole into cabin for wires. Install bow light, running wires into cabin. Install wire grommet in 1/2" hole after wires are pulled thru hole. Splice wires into harness. (see fig. 3)
8. Drill 3/4" hole in deck between hatches for connector (see Fig. 4). attach wires to connector from harness and install connector with cab. (battery wires can now be connected.)
9. To install mast light connect wires to light and install over wire grommet with S.M. scrs. (Fig. 5)
10. Connect other end of wires to plug. After mast is in place on deck, this plug is inserted into deck connector. (Fig. 6)

FIG. 1

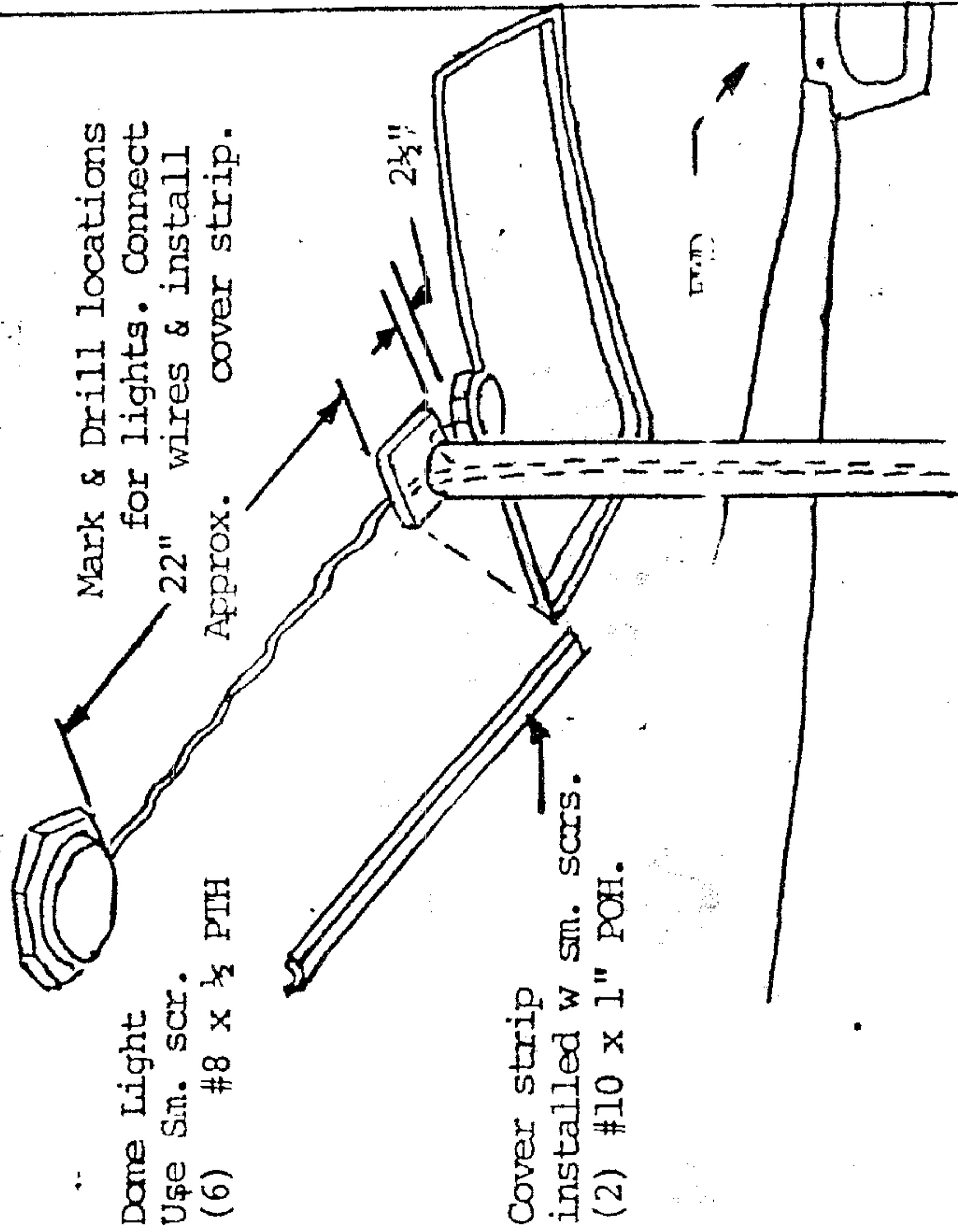


FIG. 2

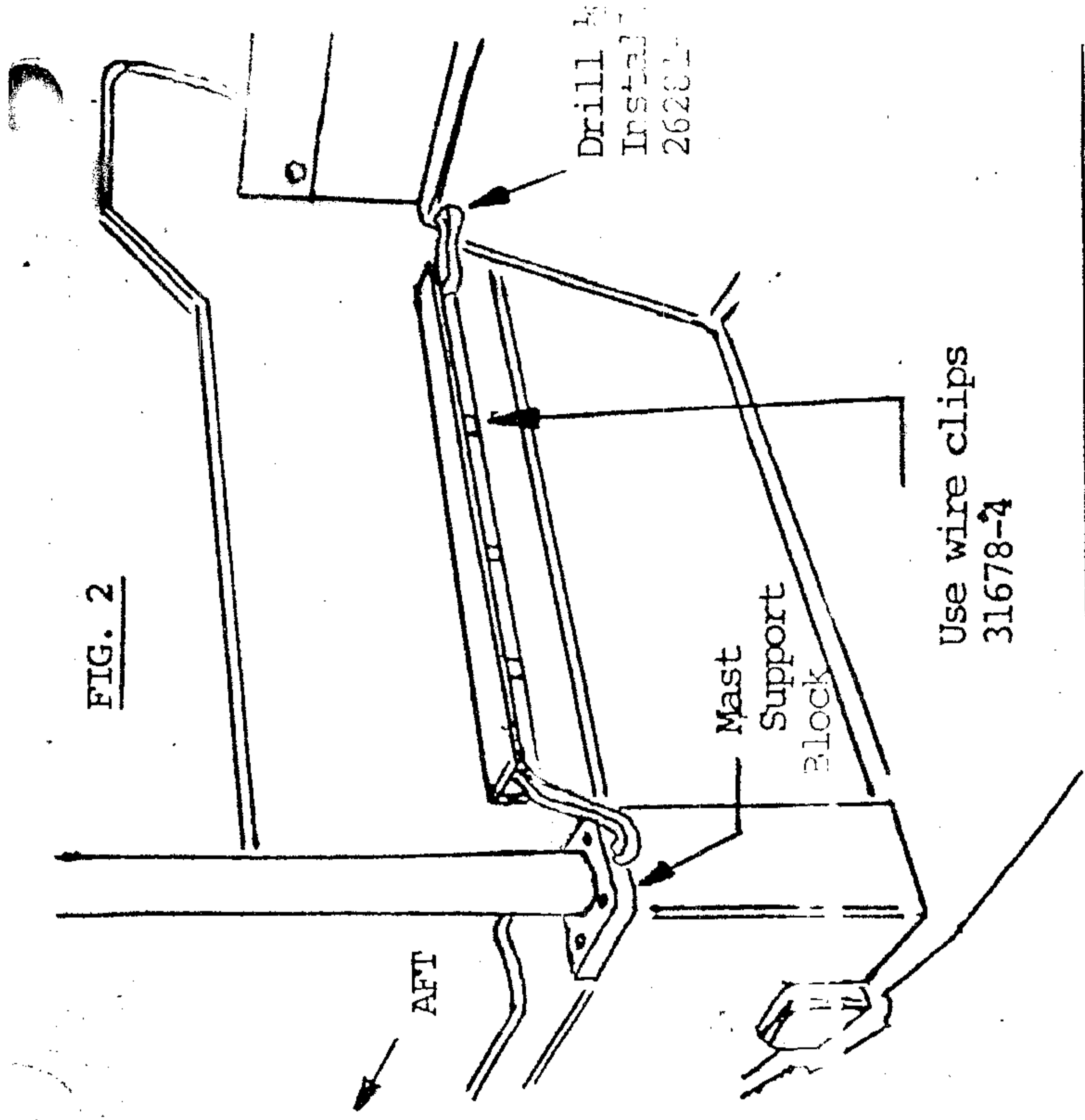


FIG. 3

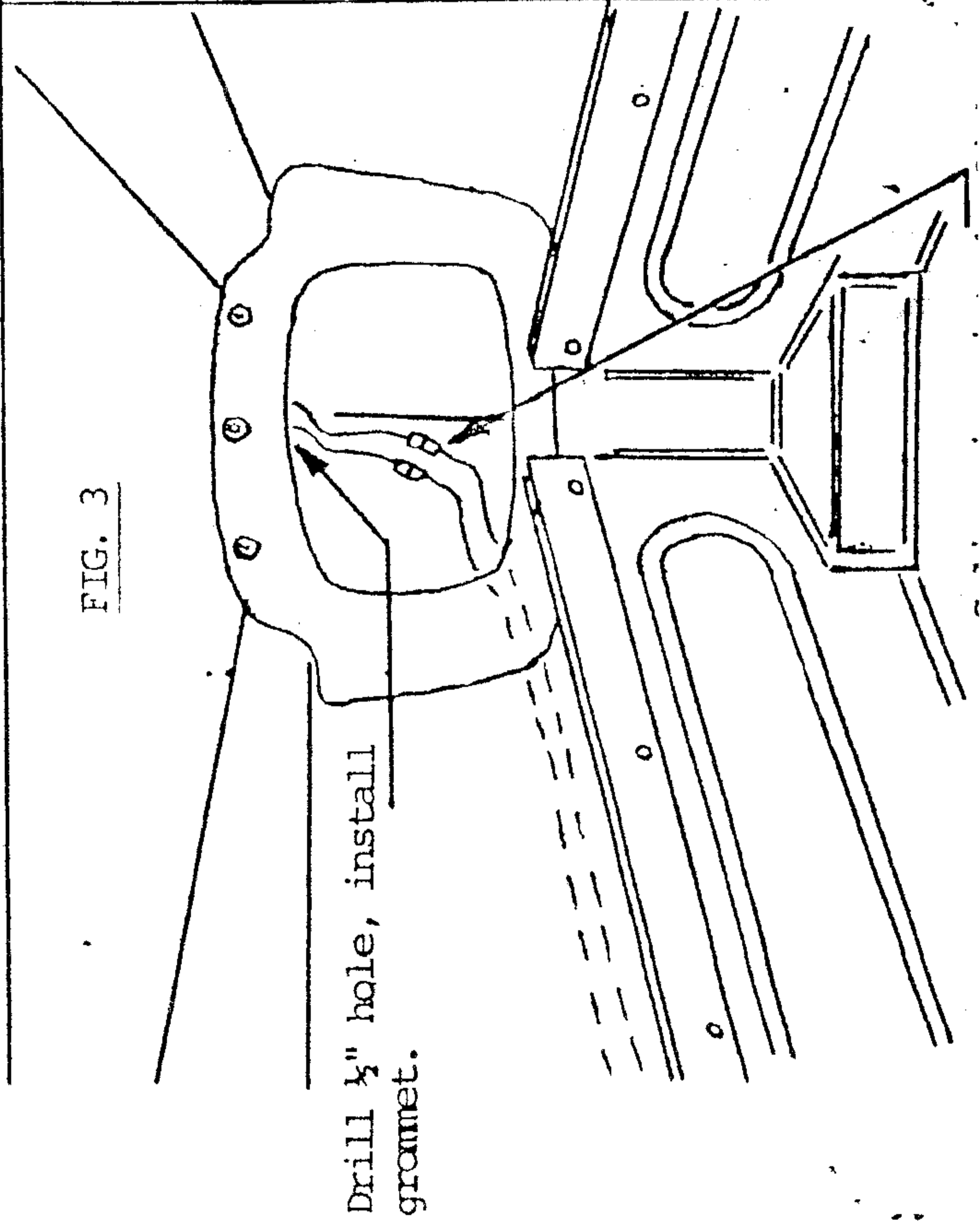


Fig. 4

Drill 3/4" hole & install connector. Connect
wires prior to fastening to deck.

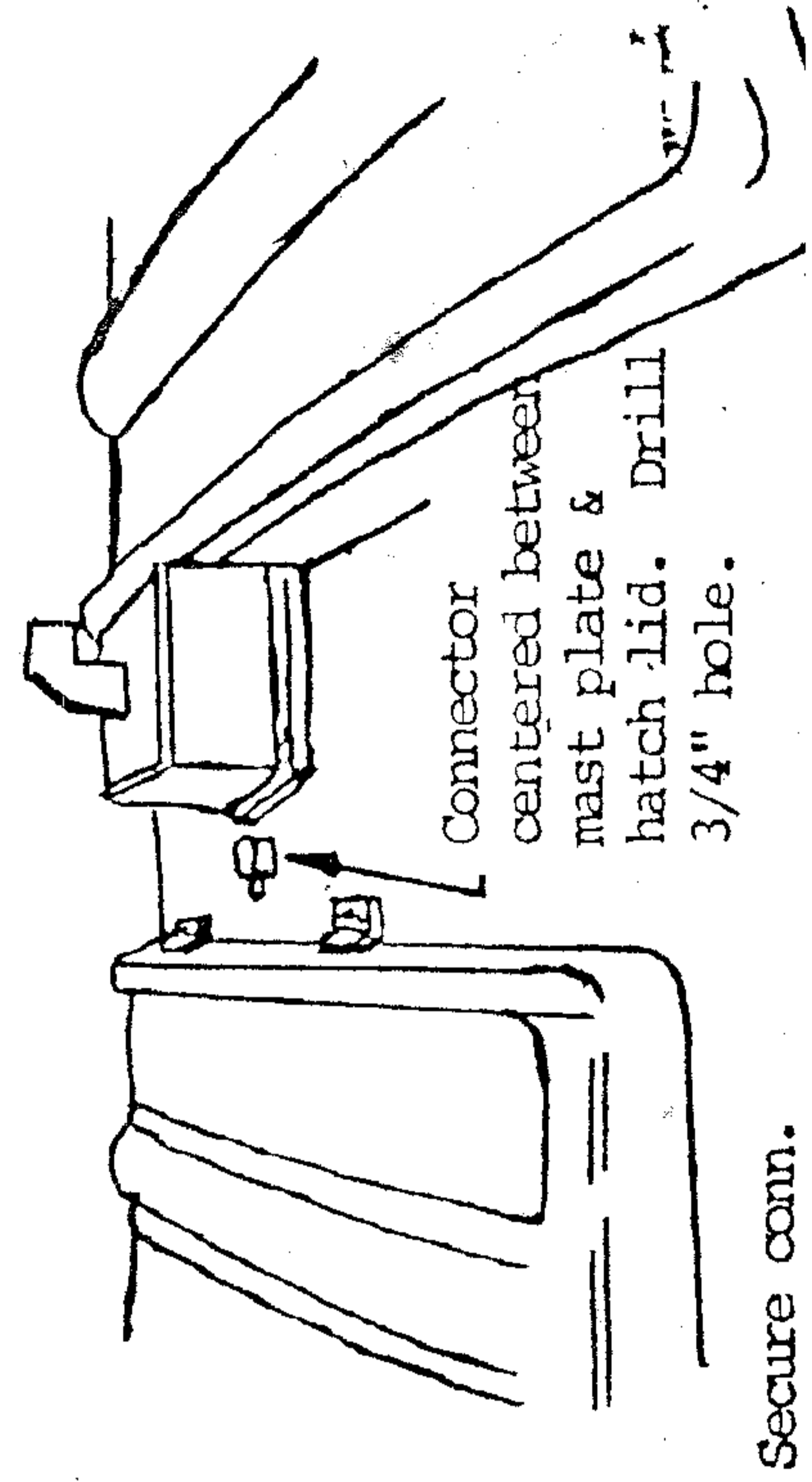


FIG. 5

TO INSTALL MAST LIGHT . . .

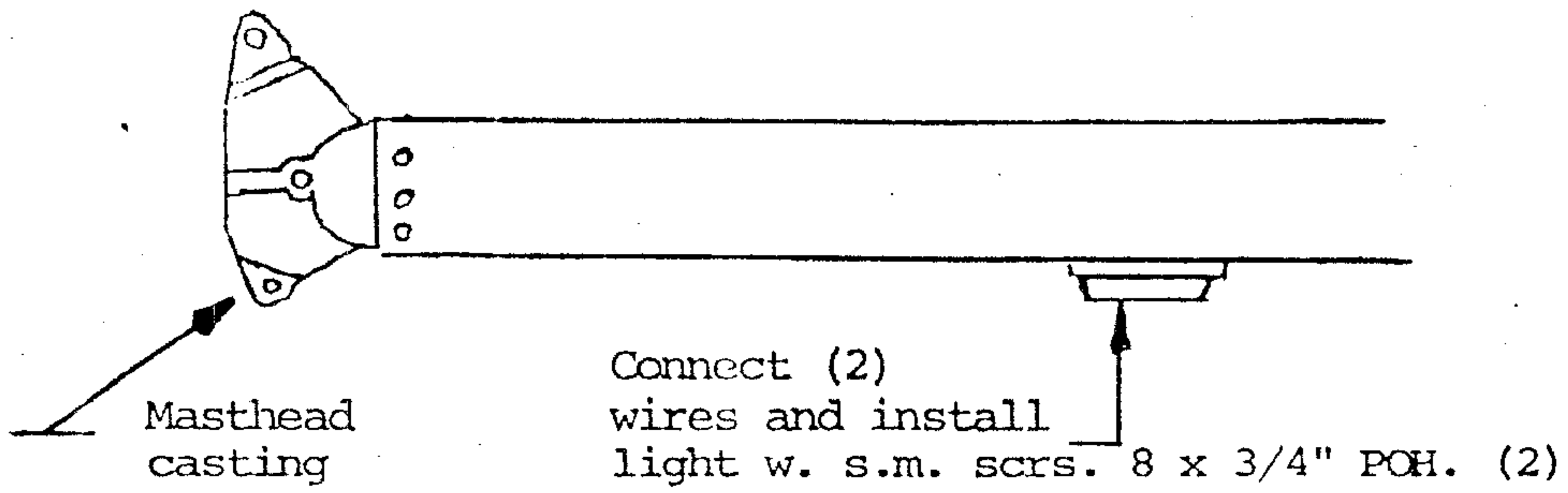
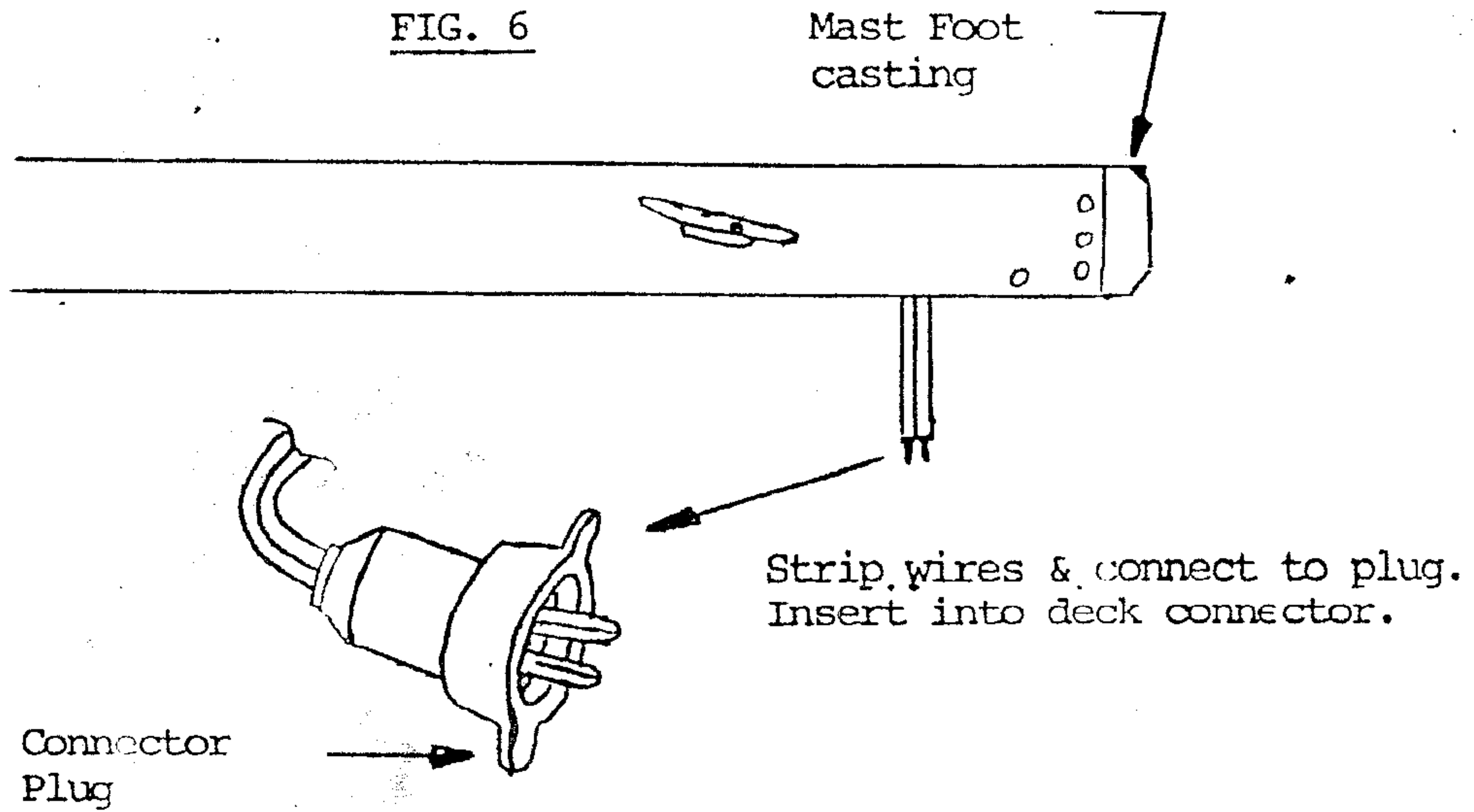
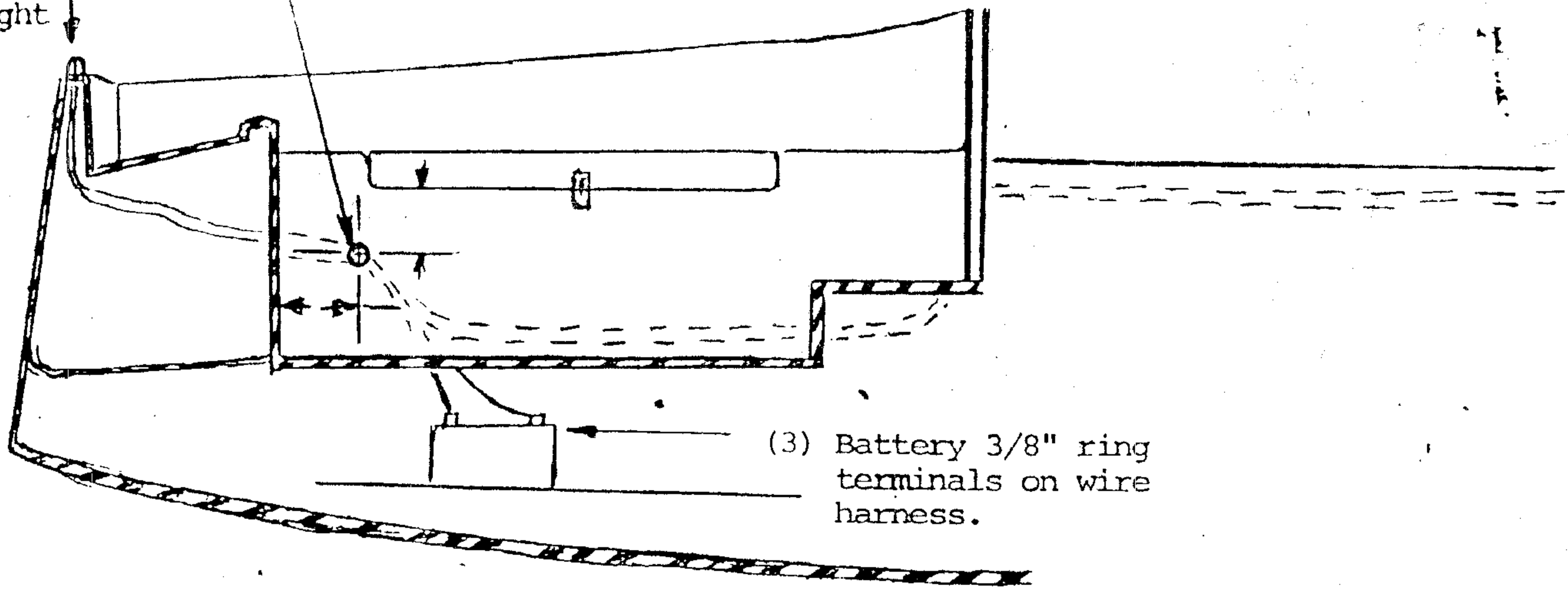


FIG. 6



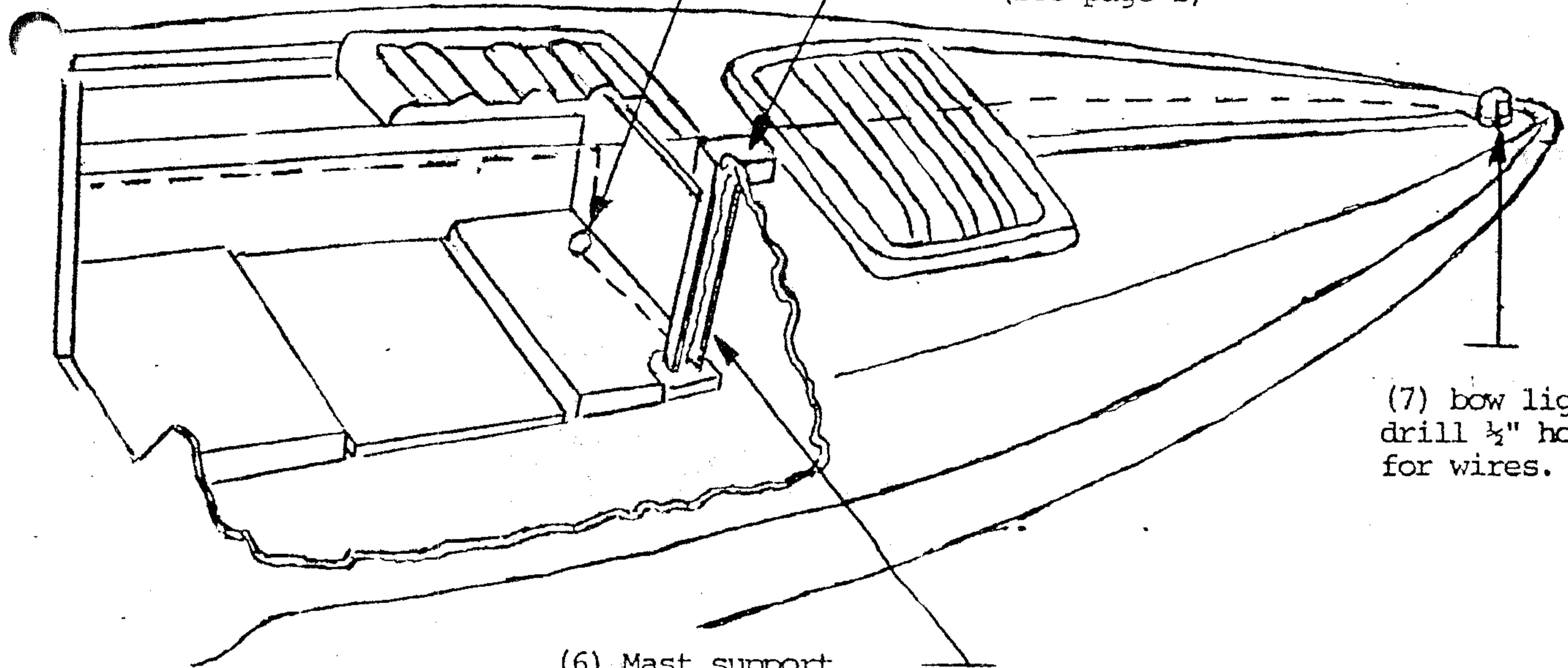
(2) Stem hole
light



(3) Battery 3/8" ring terminals on wire harness.

(4) Drill hole 1/2" in blkhd.

(5) Mast support block (see page 2)



(7) bow light drill 1/2" hole for wires.

(6) Mast support tube.