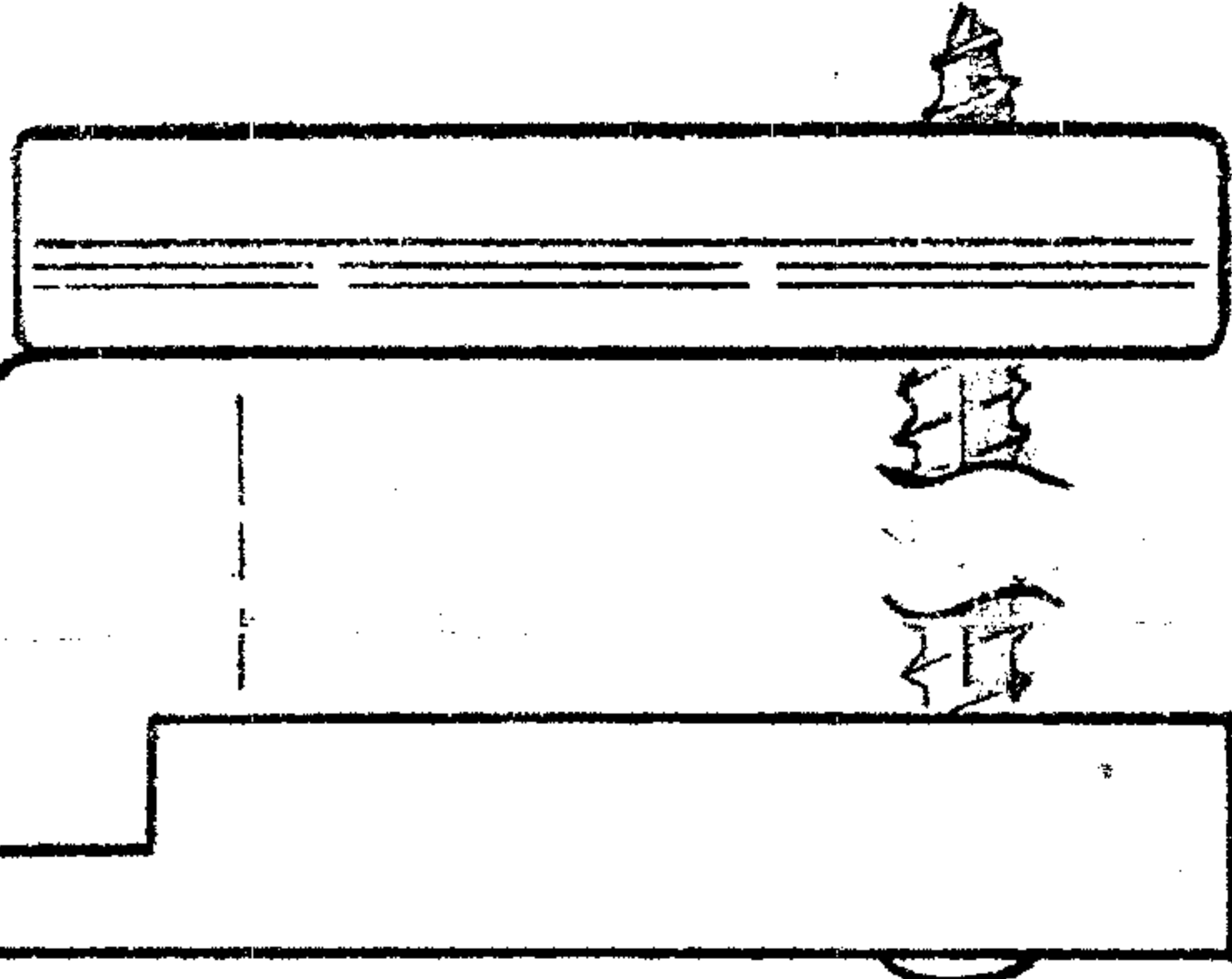


INSTALLATION
INSTRUCTIONS

FOR CATCH TO MAST - 335

CATCH TO MAST
INSTALLATION
MODEL-335

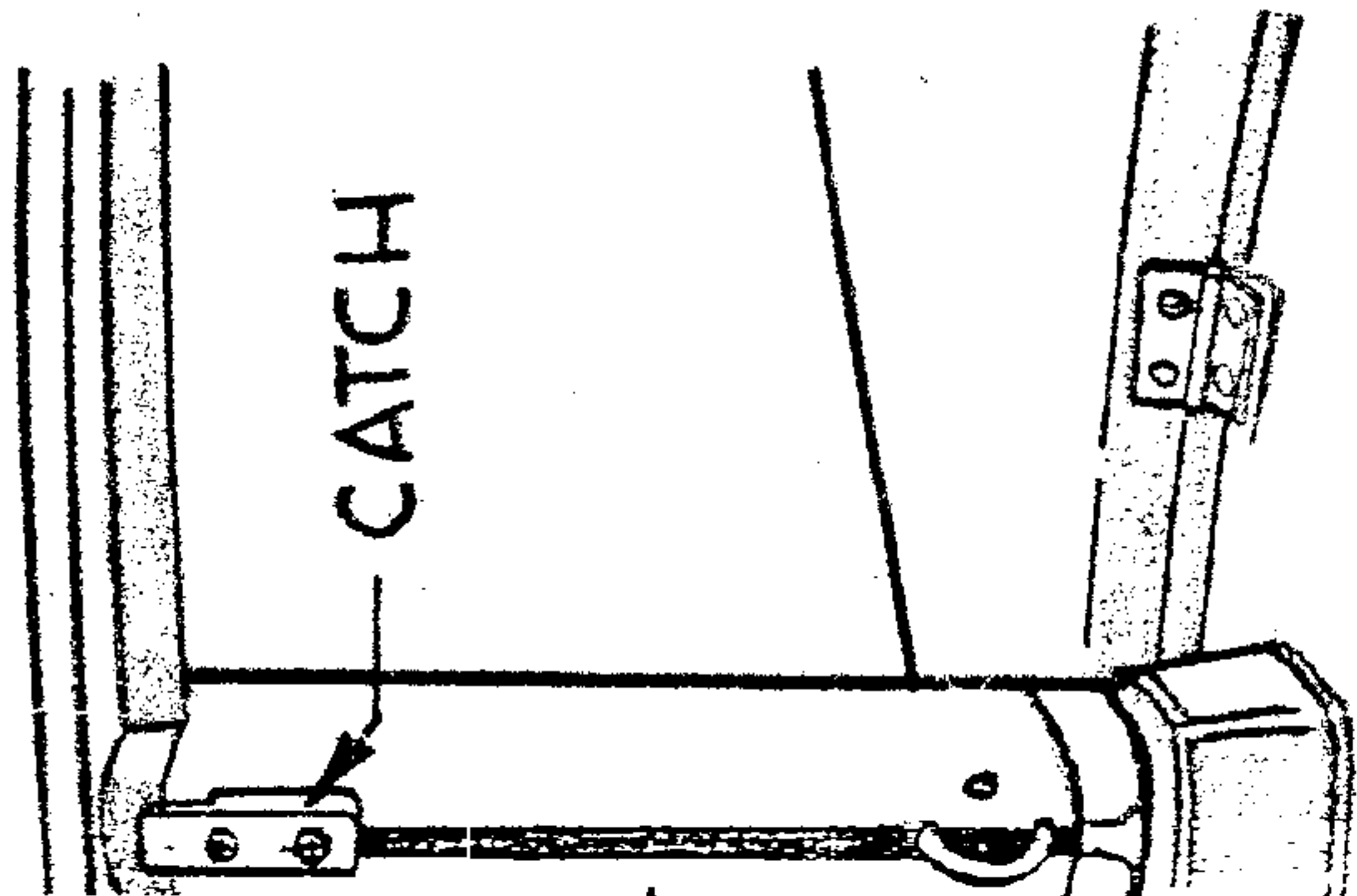
TUBE
CATCH



ASSEMBLY

↓
T
EN.
E IN
T
OWN
RS.

CATCH



CHRYSLER
BOAT CORPORATION

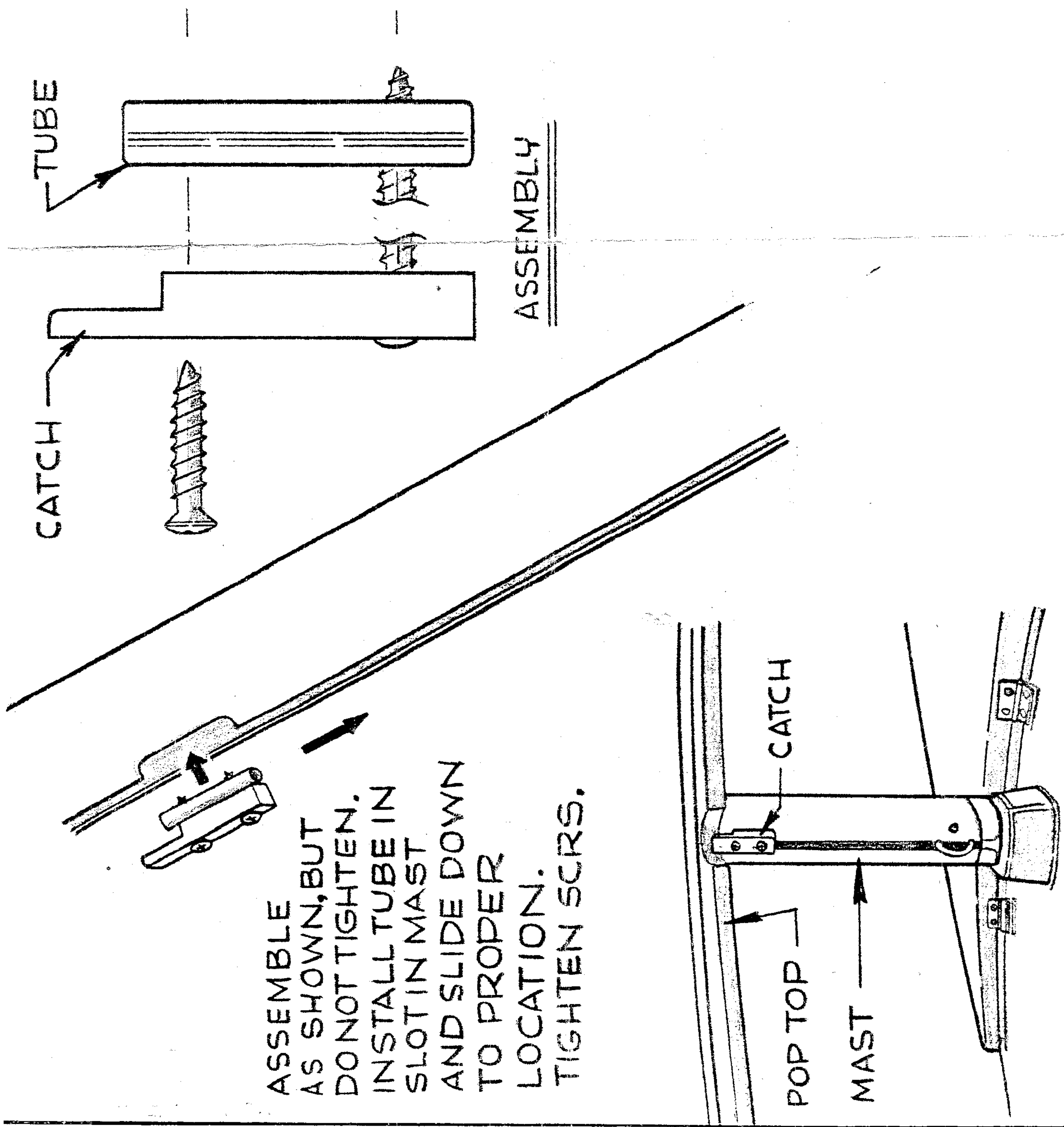


FOR PART NO. 816815

INSTRUCTION NO. 14230

FOR PART NO. 816815

CATCH TON
INSTALLAT
MODEL-33!



ASSEMBLE
AS SHOWN, BUT
DO NOT TIGHTEN.
INSTALL TUBE IN
SLOT IN MAST
AND SLIDE DOWN
TO PROPER
LOCATION.
TIGHTEN SCRS.